

Name: _____ Date: _____

Windows 2008 Server and Active Directory Midterm

1. The support.microsoft.com/kb website has the key to many of our server problems. Where do we find the event ID error numbers?
 - a. DNS Monitoring tab
 - b. DNS Event log
 - c. DNS Forwarder tab
 - d. DNS A Host log
2. When clearing the DNS Event Log the "Clear Log" button is located on the _____.
 - a. Event Clearing window
 - b. Forwarders Properties window
 - c. Event Log Clear window
 - d. DNS Event Properties window
3. Reverse Lookup Zones in Server 2003 or 2008, require a _____.
 - a. Network IP Address such as 192.1.4.
 - b. Network IP Address such as 192.1.4.2
 - c. Network IP Address such as 192.
 - d. Network IP Address such as 192.1.
4. DNS Lookup Zones in Server 2008 that have Active Directory, recommend that we _____.
 - a. Only allow non-secure dynamic updates
 - b. Only allow secure dynamic updates
 - c. Allow both secure and non-secure dynamic updates
 - d. Only allow secure non-dynamic updates
5. We cannot connect to the Internet from our secondary server after joining the 192.168.50 network. We check with the senior Network Administrator and they have not set the _____ on the 192.168.50.1 server.
 - a. Network Policy and DHCP System
 - b. Network Auditing and Password Accounting
 - c. Network Policy and Access Services
 - d. Network Policy and Event Logging
6. What two possible options will give our intranet secondary servers and clients Internet services when setting up Routing and Remote Access on the Windows 2008 server? (circle 2)
 - a. Network Address Translation (NAT)
 - b. VPN and NAT
 - c. Remote Access (VPN)
 - d. VPN and DHCP
7. What computer authorizes a DNS server?
 - a. Client
 - b. Laptop
 - c. DC
 - d. DHCP server
8. On a Windows 2008 server, what is a prerequisite for the DHCP role? (circle 1)
 - a. External NIC
 - b. Internal NIC
9. We have just loaded the Active Directory role on a Windows 2008 server. When the computer restarts and the Server Manager window appears, the Active Directory role listed is inoperable. What step have we not completed?
 - a. Run DCdiag.exe
 - b. Run DCpromo.exe
 - c. Run NetDialog.exe
 - d. Run DCNetup.exe
10. What arrow color and direction signify that the DHCP or DNS server is not running? (circle 2)
 - a. Up
 - b. Down
 - c. Red
 - d. Green

Network Client Server - Midterm

11. After setting up your Windows 2008 DC and your external network connection, you connect the Category 6 cable to the 1000 MBps NIC and test the link to the router by typing _____ at the command line.

- a. ping 255.255.255.0 b. nslookup 192.168.0.1 c. ping 192.168.10.1 d. tracert 192.168.0.255

12. On our DHCP server, what devices would we consider to have exclusions for in the network scope?

- a.
b.
c.
d.

13. Our Wi-Fi router, the Linksys E3000 unit needs programming. What IP address do we use to connect to the router when it comes out of the box?

- a. 192.168.1.1 b. 192.168.0.1 c. 192.168.2.1 d. 192.168.100.1

14. Our Wi-Fi router, the Linksys E3000 unit needs programming. What password do we use to logon to the router when it comes out of the box? (circle 2)

- a. username: blank b. password: admin c. password: blank d. username: admin

15. Our Wi-Fi router, the Linksys E3000 unit needs programming. What port number do we block for FTP services?

- a. 21 b. 2 c. 41 d. 22

16. You do not own a Fully Qualified Domain Name for your home based business server. What FQDN will you want to use?

- a. Domain2.local b. Charles.net c. Domain.org d. DNS.net

17. Our supervisor has us join a domain and instructs us that our FQDN is **sales.domain2.local**. What is the domain NetBIOS name for the domain controller domain2.local?

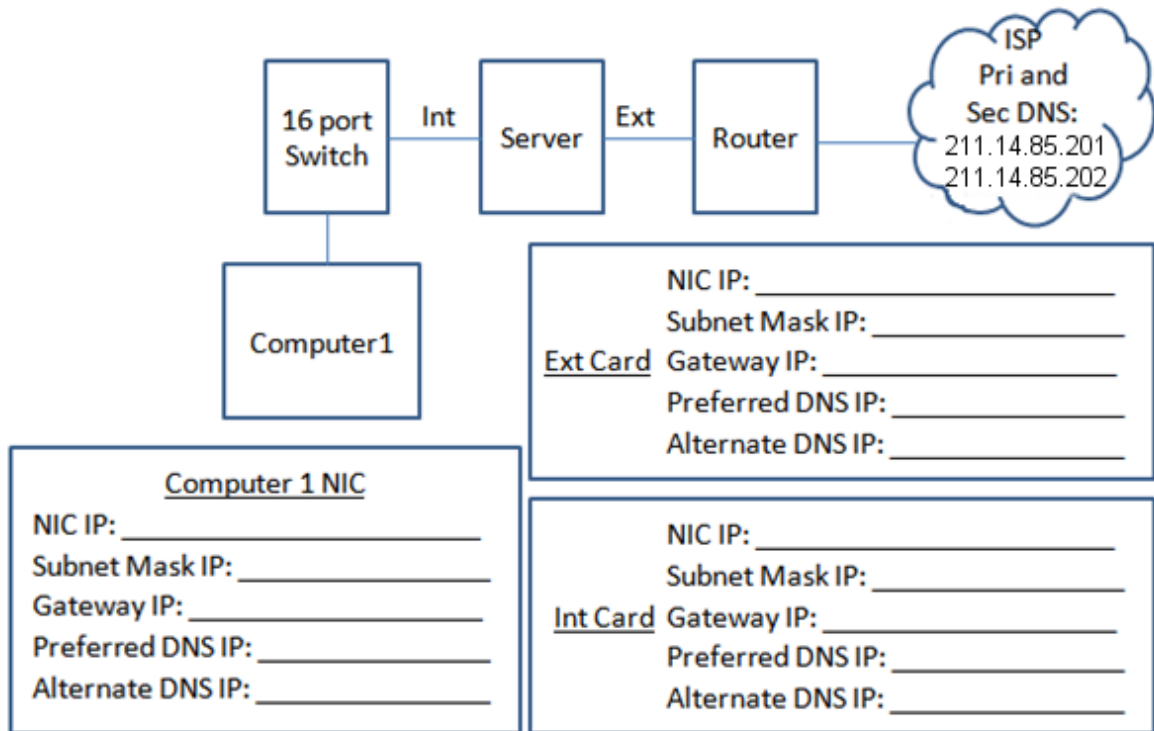
- a. DOMAIN b. LOCAL c. DOMAIN2 d. SALES

18. When adding a client to a 2008 Server, what three items do we need to logon?

19. What two policies define smart passwords on a 2008 server?

Network Client Server - Midterm

20. When setting up a VPN and NAT on a 2008 server, we turn off
 a. DNS b. DHCP c. The router d. ICS
21. Most businesses and home LANs run class C networks. The maximum number of devices on the network is 254. What two IP addresses are not allowed on a class C network 192.168.0? (circle 2)
 a. 192.168.0.150 b. 192.168.0.100 c. 192.168.0.255 d. 192.168.0.0
22. What type of cable will we want to connect 2 1000 Mbps E3000 Linksys routers?
 a. Category 3 b. Category 4 c. Category 5 d. Category 6
23. What RAID setup allows us to have two hard drives?
 a. RAID 1+0 b. RAID 3 c. RAID 1 d. RAID 5
24. RAID drives need to be setup as
 a. Systematic b. Relative c. NFTS d. Dynamic
25. We need to build a small LAN that has router with the address 192.168.10.1. Our internal network address is 192.1.4. Fill in the correct information for the Ext NIC card, Int NIC card and the NIC card for Computer1. The primary and secondary DNS IP addresses for the ISP are shown in the cloud.



26. Write the two subnets of the Class C network 192.5.0 with the subnet mask 255.255.255.128

Subnet Mask	No. of Subnets	Number of Hosts	Network Address	Usable IP Range	Broadcast Address
255.255.255.128					

Network Client Server - Midterm

Match the following Active Directory graphics to their object by writing the letter next to the number.

- | | | | | |
|-----|--------------------------|------------------------------|---|------------------------|
| 27. | <input type="checkbox"/> | Group of connected triangles | A | Organization Unit (OU) |
| 28. | <input type="checkbox"/> | Line | B | Tree |
| 29. | <input type="checkbox"/> | Triangle | C | Group |
| 30. | <input type="checkbox"/> | Rectangle | D | Domain |
| 31. | <input type="checkbox"/> | Circle | E | Trust |
| 32. | <input type="checkbox"/> | Silhouette of people | F | Forest |

33. Name the four different Windows 2008 servers sold by Microsoft.

34. What is the default workgroup for a Windows 2008 server?
 a. Domain b. domain.local c. Bitlab d. workgroup
35. User must change password at next logon is the typical default for new _____.
 a. OUs b. Groups c. Domains d. Users
36. What tab in the User Properties window allows the administrator to logout a user for not accessing their computer for a period of time?
 a. Member b. General c. Dial Up d. Sessions
37. You wish to set the default maximum password age for Windows 2008 to a reasonable time to secure your Windows 2008 network from document theft. Your network has been subjected to many authentication compromises in the last few months. How many days should pass before forcing a change in a user's password?
 a. 37 days b. 47 days c. 7 days d. 42 days
38. The term DRP stands for
 a. Disaster Removal Program
 b. Disaster Refuge Park
 c. Disaster Recoil Program
 d. Disaster Recovery Plan
39. The _____ of your certifications should be entered on your resume, since many qualifying tests have limits because if changes technical specifications.
 a. Authorizing signature
 b. Date
 c. Test score
 d. None of the above
40. The resistance on the computer circuit is 10 ohms and the voltage on the line is 5 volts. What is the current in amps?
 a. 0.5 amps b. 2.0 amps c. 0.5 ohm d. 2.0 henries

Network Client Server - Midterm

- 41. Passing one Microsoft certification, the following letters are typed after your name
 - a. MCSE
 - b. MSCE
 - c. MPC
 - d. MCP
- 42. Fire extinguishers tags should be signed by LAN Managers ____ a year.
 - a. 12
 - b. 18
 - c. 24
 - d. None of the above
- 43. You decide that you would like to use the Point to Point Tunneling Protocol (PPTP) and the Kerberos security system in the Windows 2008 Server. You must set up which file system when loading the Windows 2008 Server operating system?
 - a. NetBIOS
 - b. FAT16
 - c. FAT64
 - d. NTFS
- 44. Your company's domain www.j-group.com is purchased by The Limited. It is determined that you will attached to their domain tree by a trust instead of being added to their domain tree. You would be part of their _____.
 - a. Organizational Unit
 - b. Forest
 - c. Domain
 - d. Group
- 45. Draw a client - server network diagram with six computers and two cluster servers acting as file servers. The servers will be in line with network traffic and act as a NAT device.



- 46. You decide to set the Account Lockout Policy in the Windows 2008 Server and have determined that anyone unable to log into the system is a "hacker". Your network is unattended and unobserved over each weekend. What will you set the following settings to
 - a. Account lockout duration to 72 hours (4320 minutes), Account lockout threshold to 5 attempts and Reset account lockout counter after 72 hours (4320 minutes)
 - b. Account lockout duration to 30 minutes, Account lockout threshold to 5 attempts and Reset account lockout counter after 30 minutes
 - c. Account lockout duration to 24 hours, Account lockout threshold to 5 attempts and Reset account lockout counter after 24 hours
 - d. Account lockout duration to 60 minutes, Account lockout threshold to 5 attempts and Reset account lockout counter after 60 minutes
- 47. The lowest suggested level of security control in a Windows 2008 network would be
 - a. User level
 - b. Object level
 - c. Group level
 - d. Domain level

Network Client Server - Midterm

48. User login hours can be set (circle all that apply)
- To the hours in each day of the week
 - To apply daylight savings and offset time zone calculations
 - So that individuals cannot log in on the weekends
 - So that individuals cannot log in from a remote home station.
49. Universal groups that are predefined in the Win2008 domain are
- Administrators, Account Operators, Server Operators, Backup Operators, Replicators, Print Operators, User and Guests
 - Administrators, Admin Operators, Server Operators, Backup Operators, Replicators, Print Operators, User and Guests
 - Administrators, Admin Operators, Server Operators, Backup Operators, Replicators, File Operators, User and Guests
 - Administrators, Admin Operators, Server Operators, Backup Operators, Replicators, Print Operators
50. Auditing is
- Critical to maintaining the security of your servers and networks because it is set to maximum event logging at installation.
 - Critical to maintaining the security of your servers and networks because it is the only event tracking software available for Windows 2008 servers.
 - Critical to maintaining the security of your servers and networks because it tracks events on machines in your environment.
51. The NTFS file system is
- The recommended file system to be used with Windows 2008 server
 - Not better than the FAT 64 file system
 - The only file system that can be used with Windows 2008 server
 - Is not a path to a secure Active Directory
52. Each Windows 2008 user has their own My Documents because
- Windows 2008 creates a home folder for the new user.
 - Windows 2008 creates a windows system folder for each new user.
 - Windows 2008 has a special my documents database
 - Windows 2008 was developed in Seattle Washington, the desktop center.
53. Microsoft has defined a strong passwords as
- At least 14 characters with three of the following types of characters; numbers, special characters, lower case letters, and capital letters.
 - At least eight characters with three of the following types of characters; numbers, special characters, lower case letters, and capital letters.
 - At least six characters with three of the following types of characters; numbers, special characters, lower case letters, and capital letters.
 - At least 42 characters with three of the following types of characters; numbers, special characters, lower case letters, and capital letters.
54. The members of this group can manage the printers that may be attached to the server, controlling, or deleting print jobs and adding or removing printers.
- User
 - Guest Printer
 - Print Operator
 - Operator of Print Machines

Network Client Server - Midterm

62. Save a VBScript with the ____ file extension.
 a. VBN b. VBQ c. VBT d. None of the above
63. To run a VBScript to automatically execute an application, go the Start Button, then to _____.
 Select the program file and press OK.
 a. Search b. Command c. Find d. Run
64. What three standard groups would have access to a customer folder on a business server?

65. A Remote Installation Server using the Windows Deployment System should have at least how many hard drives?
 a. 4 b. 3 c. 2 d. 1

We are trying to troubleshoot a group of Windows 2008 Domain Controllers (DCs) in the tree. How many hard drives do we need to manage a Windows 2008 server having a these different RAID setups?

66. Mirroring
67. Mirroring and Striping
68. Basic Striping on a Windows 2008 server with no backup between drives
69. Striping on a Windows 2008 server with backup between drives

Match the following server types with their description by writing the letter next to the number.

- | | | | | |
|-----|----------------------|------------------|---|---|
| 70. | <input type="text"/> | NAT server | A | Determines print priority |
| 71. | <input type="text"/> | Print server | B | Resolves NetBIOS requests |
| 72. | <input type="text"/> | RIS server | C | Can synchronize time between network devices |
| 73. | <input type="text"/> | VPN server | D | Runs the Active Directory database |
| 74. | <input type="text"/> | SQL server | E | Resolves request to the Internet |
| 75. | <input type="text"/> | DNS server | F | Only one IP address seen by the Internet |
| 76. | <input type="text"/> | NTP server | G | Clients can install an operating system from it |
| 77. | <input type="text"/> | WINS server | H | Gives out IP addresses to clients |
| 78. | <input type="text"/> | Doman controller | I | Allows remote access |
| 79. | <input type="text"/> | DHCP server | J | Allows multiple users to a single database |

80. Why do we turn off the client's firewall?

--