

Name: _____ Date: _____

Quiz 7: Routers, NTP Server, Active Directory, Virus Protection, RAID, Setting up Groups, Print and File Servers, DNS, ICS, Subnetting, Security Policies, Predefined Groups and Adding Administrators to a Windows 2003 Server

1. A typical configuration for a Domain Controller has what server roles? (circle all the apply)
a. Print server b. Active Directory c. Defender d. DHCP server
e. DNS server f. NAT g. SQL server h. Web server
2. In Active Directory, the lowest suggested security control level is to manage server security with
a. domains b. OUs c. groups d. forest
3. The circle in the domain diagram is named Accounting. Accounting is the company's _____.
a. domain name b. group c. domain d. Organizational Unit
4. One of the servers in the organization is called sales.tractors.com. What is the FQDN of the server?
a. sales b. tractors c. tractors.com d. sales.tractor
5. In the sales.tractors.com. What is the NetBIOS name of the Domain Controller?
a. TRACTOR b. SALES c. COM d. SERVER
6. When setting up Active Directory, the local security polices become the
a. trustful password delegation b. user and group policies
c. domain security policies d. operational control delegation rules
7. On a client's computer, we cannot see Domain Controller we wish to connect to. What can we check to help troubleshoot the situation? (circle all that are correct)
a. Ping the server from the client using the server NetBIOS name b. Check to see if the firewall on the client is on c. Verify the server domain name for spelling errors d. Run the dcdiag.exe program
8. When setting up a Domain Controller and we do not have a FQDN, what name can we use?
a. Local.domain b. Me.com c. Me.local d. Domain.local
9. When setting up the Domain Controller, we are prompted to identify what network connection for Network Address Translation?
a. Internal NIC b. External NIC c. DNS server d. ISP IP address
10. You wish to setup another server in your tree. What would be a useful server in an office? (circle all that apply)
a. Print server b. Web server c. SQL server d. Backup server
11. Where on the client computer do we go to setup a client server connection?
a. Computer Properties b. Network connections c. User accounts d. Client server console

Network Administration Quiz 7

12. When adding a client to a domain, what three items do we need to logon?

13. We have setup a domain controller with NAT, DHCP, DNS and centralized storage with three drives using RAID 5. What is the missing component in this organization’s setup?

- a. RAID 1 drives b. RAID 1+0 drives c. Offsite backup d. Nothing is missing

14. When setting up a domain controller, the system will reboot ____ times.

- a. 1 b. 0 c. 2 d. 3

15. What TCP/IP octet is reserved for network administrators?

- a. 162 b. 255 c. 168 d. 127

16. Write the two subnets of the Class B network 150.100.0.0 with the subnet mask 255.255.192.0

Subnet Mask	No. of Subnets	Number of Hosts	Network Address	Usable IP Range	Broadcast Address
255.255.192.0					

17. The router’s administrator password is “password”. What smart password would be better?

- a. SMARTPWD b. routerpwd c. B1AnSm1th d. A1B2C3D4

18. What is the default network IP address used by the industry for routers?

- a. 255.255.0.0 b. 198.168.0.0 c. 192.168.0.1 d. 192.166.10.1

19. On a static IP LAN, the router’s DHCP setting should be

- a. Disabled b. Enabled

20. MAC filtering is useful when we only want the laptops in our company to access the LAN. We add the computer’s MAC address and the _____ to add the laptop to the allowed connections list.

- a. Computer name b. IP address c. Subnet mask d. DNS address

21. What two tests do we run on a standard DNS server to verify proper functioning?

- a. Simple query test b. Simple ping test c. Retention query d. Recursive query

22. When setting up a VPN on the company’s network, we should use what role in a router to send external requests to a server?

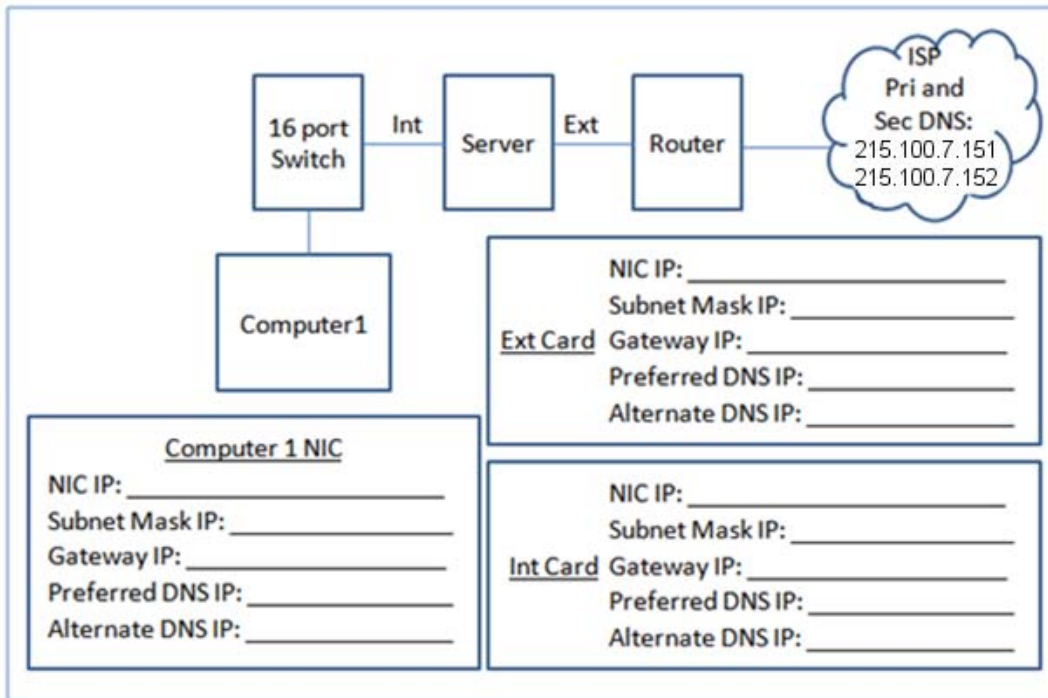
- a. firewall filtering b. DHCP enabling c. DNS directions d. port forwarding

23. Name two policies that create criteria for Smart passwords. (circle 2)

- a. Password age b. Min. password length c. Complexity requirement d. Password history

Network Administration Quiz 7

24. The default number of tries a user can attempt before lockout in a Windows 2003 Server is
 a. 1 b. 3 c. 5 d. 7
25. We have just added a user, created a folder and have given permissions to the user to have full control of the folder. What type of server did we just create?
 a. Directory server b. DNS server c. DHCP server d. File server
26. We need to build a small LAN that has router with the address 70.60.29.1. Our internal network address is 192.168.0. Fill in the correct information for the Ext NIC card, Int NIC card and the NIC card for Computer1. The primary and secondary DNS IP addresses for the ISP are shown in the cloud.



Match the following Active Directory graphics to their object by writing the letter next to the number.

- | | | | | |
|-----|--------------------------|------------------------------|---|------------------------|
| 27. | <input type="checkbox"/> | Group of connected triangles | A | Organization Unit (OU) |
| 28. | <input type="checkbox"/> | Circle | B | Tree |
| 29. | <input type="checkbox"/> | Line | C | Group |
| 30. | <input type="checkbox"/> | Rectangle | D | Domain |
| 31. | <input type="checkbox"/> | Triangle | E | Trust |
| 32. | <input type="checkbox"/> | Silhouette of people | F | Forest |

33. What are the minimum amounts of network cards on the following servers?

VPN and NAT server	<input type="text"/>
Web server	<input type="text"/>
SQL server	<input type="text"/>

Network Administration Quiz 7

Place the letter identifying the server that matches the description:

	34. This server will apply an IP address to a FQDN such as www.google.com	A	SQL Server
	35. When we create a user account and a coordinating folder for the person, this server is created	B	NTP Server
	36. This server allows multiple users to access a single database	C	RIS Server
	37. We use this server to allow wireless devices such as laptops to join our network for an hour or a day	D	VPN Server
	38. This server is used to synchronize time between devices on a network	E	File Server
	39. This server contains the Active Directory database	F	DNS Server
	40. This server has its external NIC identified on the router's port forwarding list to receive WAN requests	G	NAT Server
	41. This server receives request and prioritizes the office print queue	H	WINS Server
	42. This server only allows the outside world to see a single IP address and not the internal network	I	Print Server
	43. This server holds operating system and complete hard drive images for quick client computer setups	J	DHCP Server
	44. This server help applications resolves NetBIOS names	K	Domain Controller

45. How many subnets for the following masks and IP addresses?

Network Address	Subnet Mask	Number of Devices
12.0.0.0	255.255.0.0	
150.125.0.0	255.255.248.0	
198.150.25.0	255.255.255.224	

46. What option do we select when setting up a Router and Remote Access Server (RRAS) to have outside connection and to allow the LAN computers to reach the Internet?

47. What section of the User Properties window in Active Directory allows the Administrator to control logon times?