

Name: _____ Date: _____

Quiz 6: VPN, RRAS, DHCP, Virus Protection, RAID, Setting up Groups, Print and File Servers, DNS, ICS, Subnetting, Security Policies, Predefined Groups and Adding Administrators to a Windows 2003 Server

1. What version of RAID provide no fault tolerance
a. RAID 10 b. RAID 1 c. RAID 5 d. RAID 0
2. In a Window's server, we add a second drive to make a RAID 1 server. Both drives need to be configured to
a. masters b. slaves c. dynamic d. cable select
3. The original hard drive we set the server on is set to cable select. The CDROM is the second hard drive port. We wish to add a second drive, so we set the original first drive to _____ and the second drive to _____.
4. How many network cards are on the following servers?

Virtual Private Network (VPN) server	
Network Address Translation (NAT) server	
VPN and NAT server	
DHCP server	
Web server	
SQL server	
RIS server	
5. In this RAID method data is striped to two drives and mirrored to two hard drives.
a. RAID 10 b. RAID 1 c. RAID 5 d. RAID 0
6. In this RAID method data is striped to three hard drives and the operating system is located on a fourth hard drive.
a. RAID 10 b. RAID 1 c. RAID 5 d. RAID 0
7. When we want the VPN server to be contacted through a router, we use
a. reverse lookup b. forward lookup c. port forwarding d. reverse ports
8. When setting up a VPN server, we turn off
a. DNS b. DHCP c. The router d. ICS
9. The replacement for the older TCP/IPv4 protocol is
a. TCP/IPv2 b. TCP/IPv9 c. TCP/IPv8 d. TCP/IPv6

Network Administration Test 6

10. Name four free DNS server IP addresses that a small business can use for forward lookup.

11. Most businesses and home LANs run class C networks. The maximum number of devices on the network is 254. What two IP addresses are not allowed on a class C network? (circle 2)

- a. 192.168.0.150 b. 192.168.0.100 c. 192.168.0.255 d. 192.168.0.0

12. When setting up a Static IP network, we uncheck the router's _____ checkbox.

- a. ISP b. DHCP c. Port forwarding d. DNS

13. Write the two subnets of the Class C network 198.200.5 with the subnet mask 255.255.255.224

Subnet Mask	No. of Subnets	Number of Hosts	Network Address	Usable IP Range	Broadcast Address
255.255.255.224					

14. The Network Configuration operator is able to use what TCP utility to reset computer IP addresses?

- a. PING b. IPCONFIG c. TRACERT d. NSLOOKUP

15. Write the TCP utility expression to remove an IP address from a dynamically set Network Interface Card (NIC).

--

16. Write the TCP utility expression to add an IP address from a dynamically set Network Interface Card (NIC).

--

17. One of the items on the Network Administrator's checklist after RAID setup for data protection is

- a. Offsite backup b. ISP backup c. DNS backup d. Local backup

18. On a typical local area network, why would we want to have a DHCP server?

- a. To allow the router to locate a machine using port forwarding
 b. To allow a new client machine to acquire an address by the SQL server
 c. To allow a new client machine to acquire an address by the RIS server
 d. We should not have a DHCP server on a commercial network

19. We have just added remote access to our server for connection from our home computer. What type of server would this be?

- a. DHCP server b. DNS server c. VPN server d. File server

Network Administration Test 6

20. What two tests do we run on a standard DNS server to verify proper functioning?
a. Simple query test b. Simple ping test c. Retention query d. Recursive query

21. Add www.google.com to the server's root hints and record the IP addresses for this URL.

22. When dividing the class B network into 16 subnets, we write the subnet mask as
a. 255.255.240.0 b. 255.255.224.0 c. 255.255.248.0 d. 255.255.255.240

23. What TCP/IP octet is reserved for network administrators?
a. 127 b. 128 c. 192 d. 255

24. Malicious software removal tools full server scans should typically run at
a. 1 PM b. 2 AM c. 9 AM d. Noon

25. A user is locked out of their account after 5 unsuccessful tries to logon their account and they need a file immediately. What can we do? (circle all that apply)
a. Give them a new username and a new folder
b. Uncheck the account is disabled checkbox on the server
c. Wait an hour and we can try again
d. Reset their password since they forgot it

26. Stanley Miller has just returned from a leave of absence and cannot login to his account. What needs to be done on the server?

27. IP exclusions are used for what type of devices on a DHCP scope
a. Client computer b. Network printers c. Server internal NIC d. Routers

28. What DNS zone looks to resolve IP addresses to computer names?
a. Forward b. VPN zone c. DHCP zone d. Reverse

29. The advantage of a print server is to control printers, set priorities and queues.
a. True b. False

30. When adding a network printer on a Windows 2003 server, create a new port is under what section of the Add a Printer wizard?
a. Use the following port [LPT}
b. Create a new port [standard TCP/IP port]
c. Use the following port [COM1}
d. Use the following port [Print/file1}

31. What are three types of connection security for clients connecting to a router?
a. WEP b. WIF c. WPA2 d. WPA

Network Administration Test 6

32. The default duration for DHCP leases on a Windows 2003 server scope is?
a. 8 minutes b. 8 seconds c. 8 hours d. 8 days
33. We have a wireless router system running for a school WiFy system. What would we set the DHCP lease to for a network that is in constant change from different users?
a. 1 day b. 1 hour c. 1 week d. 1 minute
34. To view the computers that are active on the DHCP server, select _____ on the DHCP window.

35. When setting up Router and Remote Access Server (RRAS), we have to do what two changes two settings in the server services after removing an ICS installation?

--

36. What two DHCP options would be typically set for a remote installation server setup?

--	--

37. Generally the DHCP server has two network cards. The external network card is set as _____ IP address configuration. And the internal network card is set to _____ IP address configuration.

38. What binary number is the standard number 241

--

39. What password policy prevents the user from toggling password?

--

40. What is the purpose of ICS?

--

41. What two policies define smart passwords on a 2003 server?

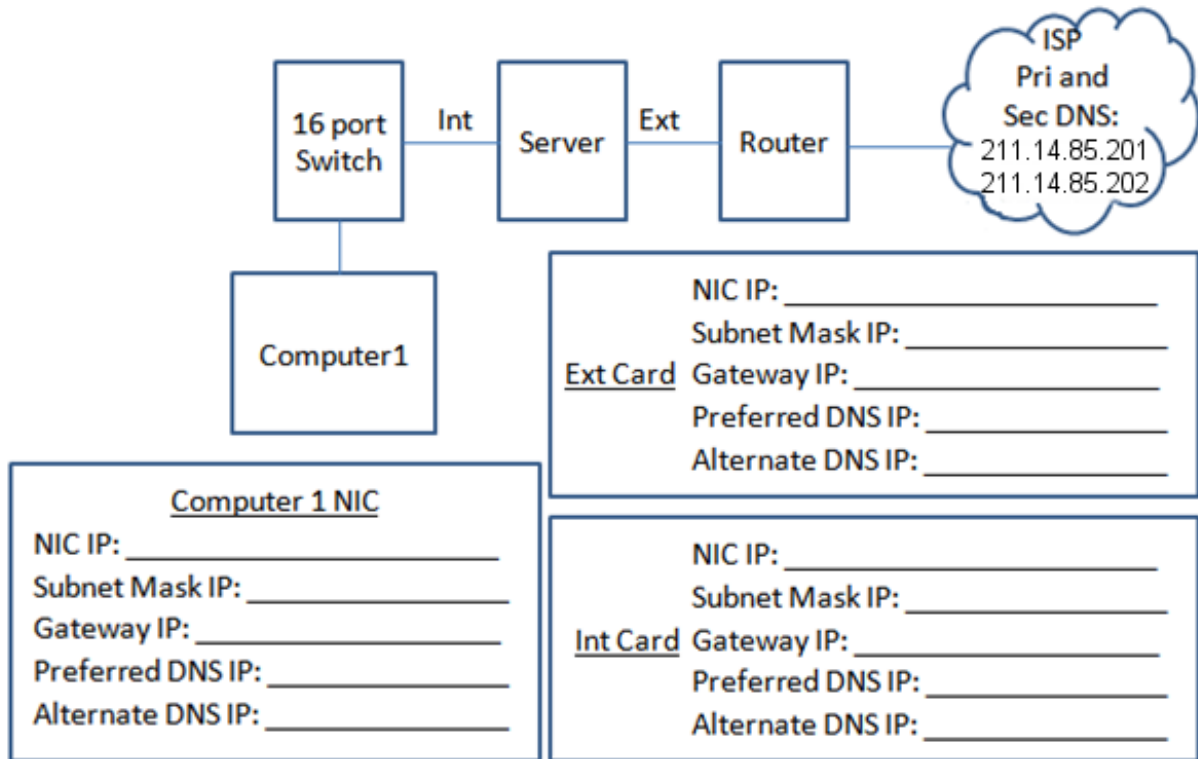
42. What website gives us free DNS Fully Qualified Domain Names (FQDN)?

--

43. What are the beginning and ending first octet of the following TCP/IP classes?

Class A	
Class B	
Class C	

44. We need to build a small LAN that has router with the address 196.60.10.1. Our internal network address is 192.168.0. Fill in the correct information for the Ext NIC card, Int NIC card and the NIC card for Computer1. The primary and secondary DNS IP addresses for the ISP are shown in the cloud.



45. Explain all five options when setting up a Router and Remote Access Server (RRAS). Describe each option and its purpose

46. Why do we turn off the client's firewall?

Network Administration Test 6

47. At our accounting business, we have general workers, managers and two network administrators. We have a folder for each project. Explain what rights are set for each group.

--

Place the letter identifying the server that matches the description:

	48. If we create a user account and folder and set the security and permissions, what type of server is listed in the Manage the Server window?	A	VPN Server
	49. We have setup Internet Connection Sharing (ICS) on the server, What is this type of server?	B	RIS Server
	50. Prioritize and processes print request on this server	C	DHCP Server
	51. This server resolves NetBIOS names	D	Print Server
	52. Clients receive an IP address from this server	E	DNS Server
	53. Domain names are resolved to IP addresses on this server.	F	WINS Server
	54. This server allows multiple users to access a single database	G	SQL Server
	55. This server holds operating system and complete hard drive images for quick client computer setups	H	File Server
	56. This server has its external NIC identified on the router's port forwarding list to receive WAN requests	I	NAT Server

57. How many subnets for the following masks and IP addresses?

Network Address	Subnet Mask	Number of Devices
136.100.0.0	255.255.128.0	
192.100.10.0	255.255.255.224	
100.0.0.0	255.192.0.0	