

Name: \_\_\_\_\_ Date: \_\_\_\_\_

## **File Servers, DNS, ICS, Subnetting, Security Policies, Predefined Groups and Adding Administrators to a Windows 2003 Server**

1. What website gives us free DNS Fully Qualified Domain Names (FQDN)?
2. What binary numbers equal 17, 241, and 255?
3. What numbers equal 01010101, 10101010, and 00000000?
4. What are two good name sets for network interface cards?
5. What are the names of the two lookup zones in DNS?
6. What does a forward lookup zone do?
7. What does a reverse lookup zone do?
8. What IP address has to be free for ICS setup?
9. How do we set up root hints in DNS?
10. Run IPCONFIG/All on your computer. What does this TCP/IP utility show?
11. Run NSLOOKUP on your computer. What does this TCP/IP utility show?
12. Run PING on your computer. What does this TCP/IP utility show?
13. What is the default IP address for routers?
14. What two DNS test can we run using DNS monitoring?
15. What is the maximum number of devices on a Class A network?
16. What is the maximum number of devices on a Class B network?
17. What is the maximum number of devices on a Class C network?
18. When do we turn off the client's firewall?

Network Administration Midterm Review

19. Name two public DNS addresses from Google.com?

20. What are the color codes for a lap link network cable?

568A	568B

21. How do we reset a user's password?

22. How do we add an administrator's account?

23. What is the Sessions tab?

24. In what two areas in Folder sharing do we set the username?

25. What IP addresses are set on a computer to connect using DHCP?

26. What are three types of messages in the Event log?

27. What rights do administrators have on a new folder?

28. What is a NAT server?

29. What is a File server?

30. What is a DNS server?

31. How do we setup ICS on a server?

32. What is a smart password?

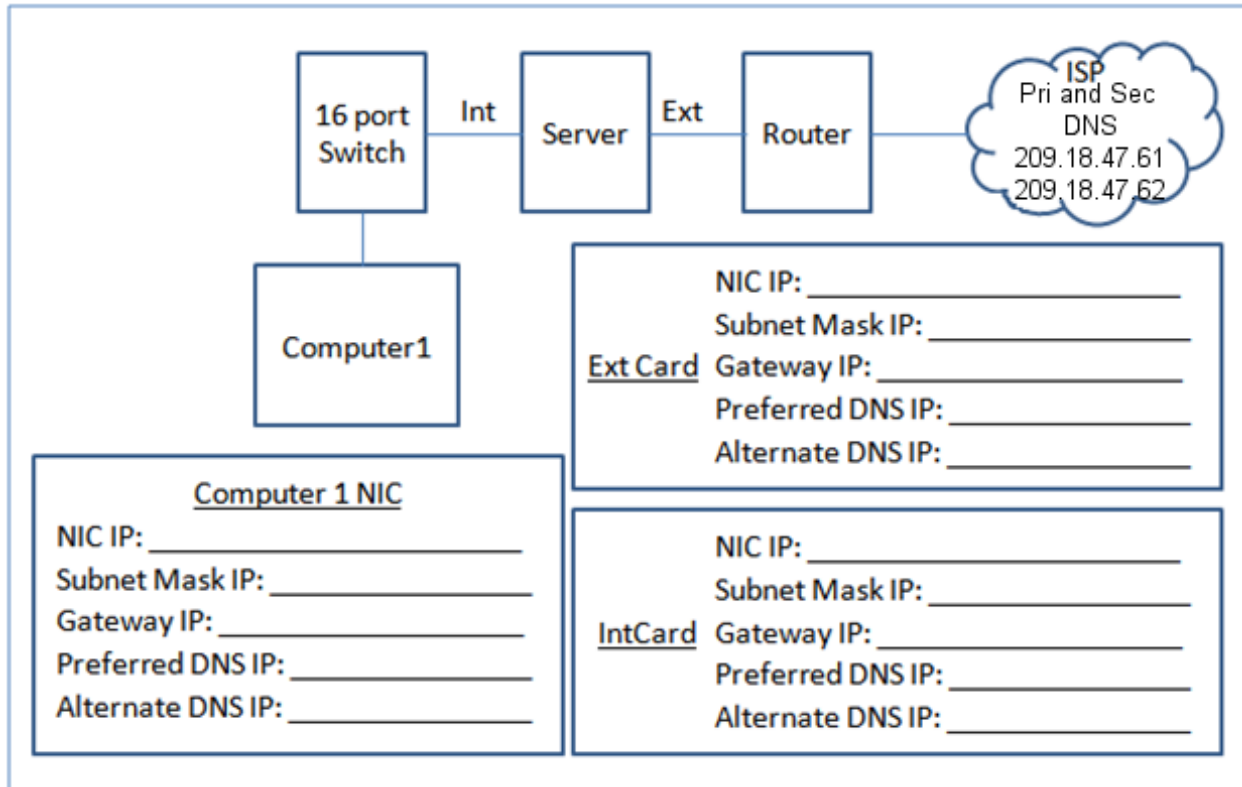
33. What two policies define a smart password?

## Network Administration Midterm Review

34. What password policy keeps users from toggling passwords?
35. What is the Windows default number of tries before the user is locked out?
36. How do we setup a reverse lookup zone?
37. How do we setup a forward lookup zone?
38. How do we setup a Host A record?
39. How do we add FQDN IP addresses to the Root Hint list?
40. What is the range of numbers for the first octet of a class A network?
41. What is the range of numbers for the first octet of a class B network?
42. What is the range of numbers for the first octet of a class C network?
43. How many subnets for the mask 255.255.240.0?
44. How many subnets for the mask 255.255.255.192?
45. How many subnets for the mask 255.128.0.0?
46. How long does it take to manually load Windows 2003 server?
47. What 2003 servers support clustering?
48. How many hard drives for RAID 1?
49. How many hard drives for RAID 5?
50. What hardware is needed to build a Windows 2003 Standard Server?
51. How do we add a trusted website?
52. Name groups that are predefined in Windows.

Network Administration Midterm Review

53. Sketch you LAN and Wan diagram and label all the IP addresses on the diagram.



Review the PowerPoint presentations on the World Class CAD website. Visit your server and client computers and inspect the settings on your machines.