

Name: _____ Date: _____

File Servers, DNS, ICS, Subnetting, Security Policies, Predefined Groups and Adding Administrators to a Windows 2003 Server

1. What website gives us free DNS Fully Qualified Domain Names (FQDN)?

--

2. What binary numbers equal 25, 137, and 255?

25

137

255

3. What numbers equal 01010101, 10101011, and 00000000?

11010101

10101011

00000000

4. What are two good name sets for network interface cards?

--	--

5. What lookup zone resolves a domain name to IP address and if the DNS server cannot determine the address, sends the request to the next DNS server?

--

6. What lookup zone resolves an IP address to a domain or computer name?

--

7. What IP address has to be free for ICS setup?

--

8. Name two public DNS addresses from Google.com?

--	--

9. In what two areas in Folder sharing do we set the username?

--	--

10. What is the maximum number of devices on a Class A network?

--

Network Administration Midterm

11. What is the maximum number of devices on a Class B network?

12. What is the maximum number of devices on a Class C network?

13. What are the color codes for a lap link network cable?

568A	568B

14. What are the beginning and ending first octet of the following TCP/IP classes?

Class A
Class B
Class C

15. Why do we turn off the client's firewall?

Place the letter identifying the server that matches the description:

	16. If we create a user account and folder and set the security and permissions, what type of server is listed in the manage the server window?	A NAT Server
	17. We have setup Internet Connection Sharing (ICS) on the server, What is this type of server?	B File Server
	18. This server resolves NetBIOS names	C DHCP Server
	19. Clients receive an IP address from this server	D DNS Server
	20. Domain names are resolved to IP addresses on this server.	E WINS Server

Network Administration Midterm

21. What is the minimum amount of hard drives in the following Windows server setups?

RAID 0	
RAID 1	
RAID 10	
RAID 5	

22. Write the first four subnets of the Class C network 200.9.5.0 with the subnet mask 255.255.255.192

Subnet Mask	No. of Subnets	Number of Hosts	Network Address	Usable IP Range	Broadcast Address
255.255.255.192					

23. What two policies define a smart password?

--	--

24. How many subnets for the following masks and IP addresses?

Network Address	Subnet Mask	Number of Devices
128.10.0.0	255.255.240.0	
192.168.10.0	255.255.255.192	
10.0.0.0	255.128.0.0	

Place the letter identifying the server that matches the description:

A	25. This TCP/IP utility gives the user the name and IP address of the DNS server	Ping
B	26. This TCP/IP utility removes the IP address given to a computer from a DHCP server	NSLookup
C	27. This TCP/IP utility can test the connection between a client and server	IPConfig/renew
D	28. This TCP/IP utility requests an IP address from a DHCP server	IPConfig/release

29. What 2003 servers support clustering?

--	--

Network Administration Midterm

30. What two DNS test can we run using DNS monitoring?

--	--

31. Name three accounts assigned to new folder.

--	--	--

32. What DNS setup will identify computers on the internal network?

--

33. Tim Mills is going on vacation to New York for a month this July. On his first day of vacation, we will check what box in the properties window?

--

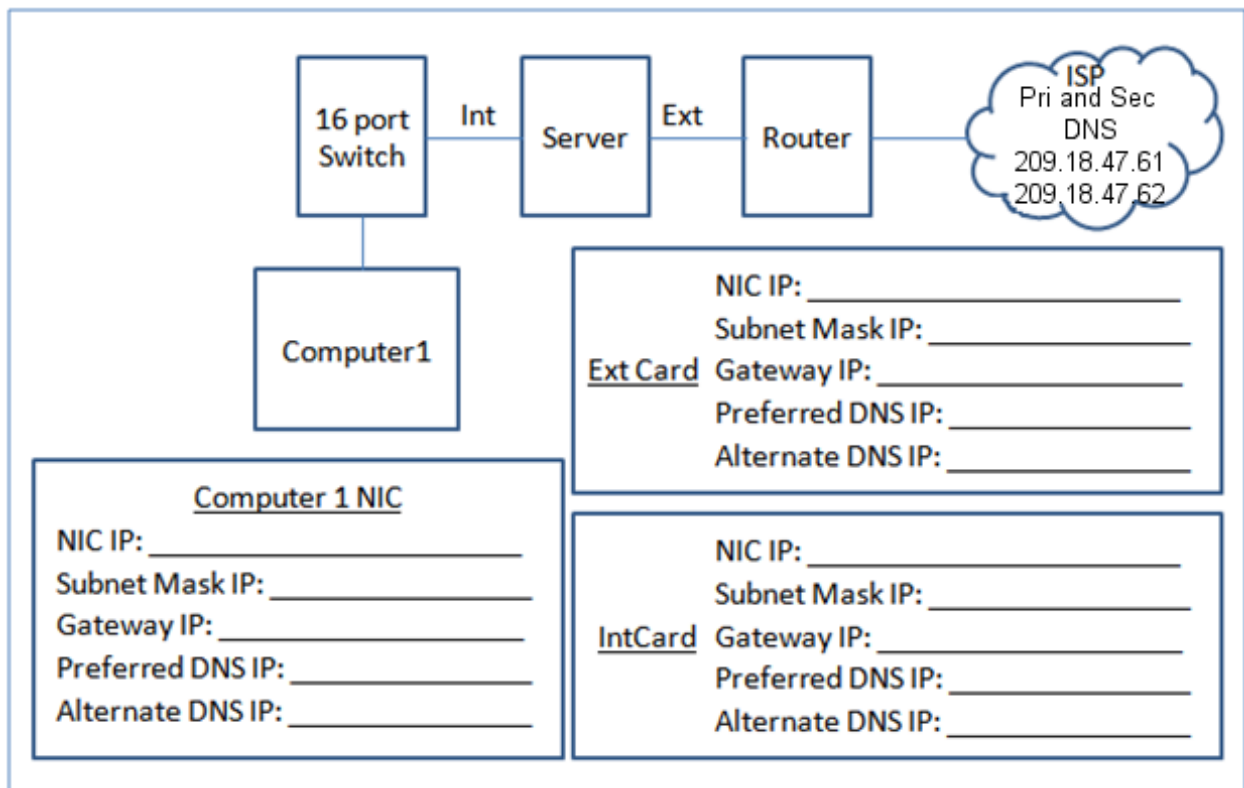
34. What is the default IP address for routers?

--

35. What are three types of messages in the Event log?

--	--	--

36. We need to build a small LAN that has a external network address of 192.168.100.0. Our internal network address is 192.168.0. Fill in the correct information for the Ext NIC card, Int NIC card and the NIC card for Computer1.



Network Administration Midterm

37. When using Internet Connection Service (ICS), what network connection gets the ICS box checked?
a. External b. Internal c. Middle d. DNS

38. What is the Windows default number of tries before the user is locked out? What is the default time for the lockout duration?

--	--

39. Name the four different Windows 2003 servers sold by Microsoft.

40. A person who can add new software and set folder sharing on client computers is (circle 2)
a. User b. Power User c. DHCP Administrators d. Administrators

41. What is the maximum number of passwords the server can save in memory for a single user to prevent toggling?
a. 28 b. 26 c. 24 d. 20

42. _____ will protect the Windows Server against malicious software and Spyware. It is available for Windows 2003 server, and computers with Vista and XP operating systems
a. Window's Spynot b. Windows' Defender c. Windows' AntiVirus d. Windows' SpyNot

43. What tab in the User Properties window allows the administrator to logout a user for not accessing their computer for a period of time?
a. Member b. General c. Dial Up d. Sessions

44. What are three types of connection security for clients connecting to a router?
a. WEP b. WIF c. WPA2 d. WPA

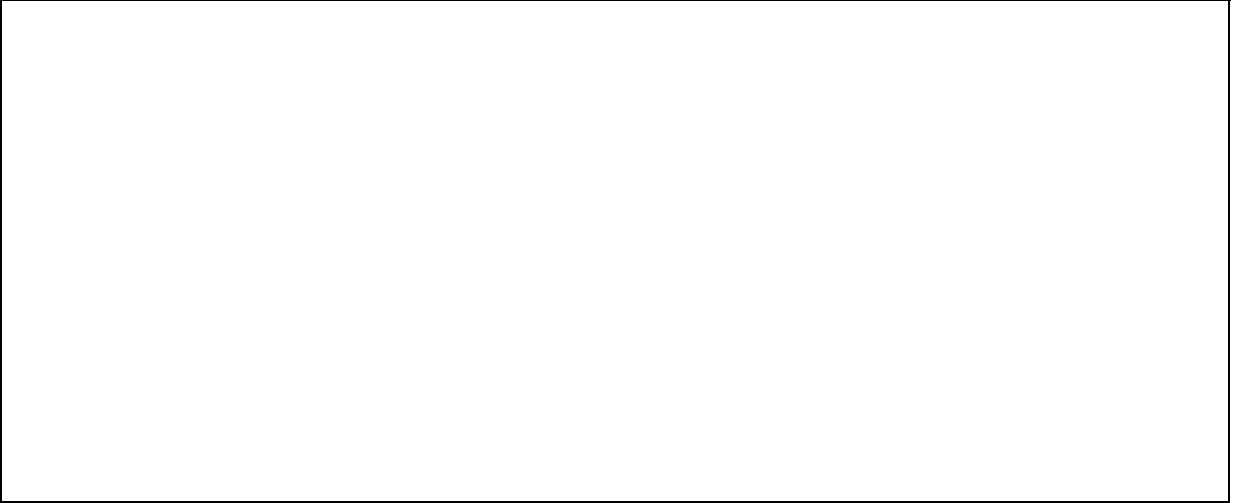
45. Circle all unacceptable signal strengths when planning a Wi-Fi system? Cisco recommends at least a 25 dB on a 53 dB wireless signal.
a. 75% b. 50% c. 45% d. 35%

46. The IT manager at Melville Mortgages asks that our server uses smart passwords. She logons onto the system to check our work and is able to use the password A1B2C7D8. Is the passphrase a smart password?
a. Yes b. No

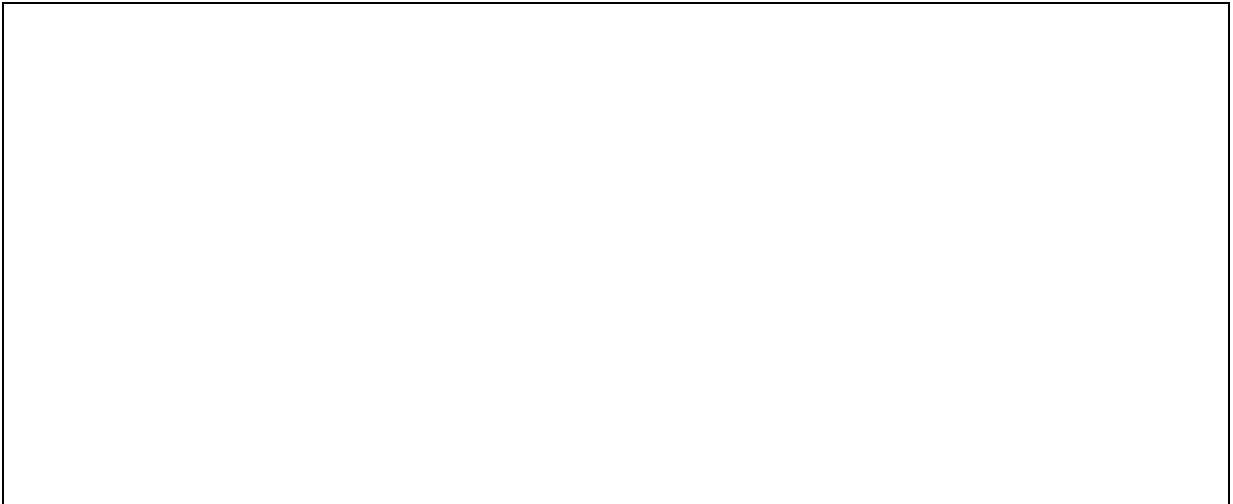
47. If you moved a computer that was working seamlessly on a 100Mbps hub-based network to a 1000 Mbps hub-based network to a 1000Mbps hub-based network, and you are having intermittent problems staying connected to the network, what is the first thing you should do?
a. Open the computer and replace the NIC card
b. Replace the hub
c. Test the cable
d. Uninstall and reinstall the NIC driver

Network Administration Midterm

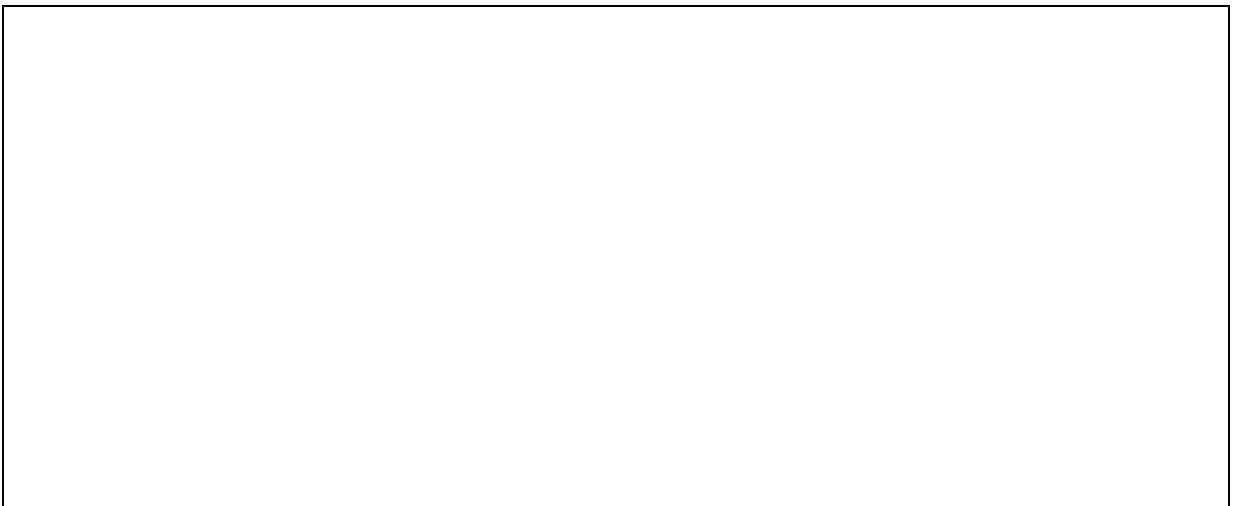
48. How do we add a domain name and IP address to root hints in DNS?

A large, empty rectangular box with a black border, intended for the student to write their answer to question 48.

49. How do we reset a user's password?

A large, empty rectangular box with a black border, intended for the student to write their answer to question 49.

50. How do we setup ICS on a server?

A large, empty rectangular box with a black border, intended for the student to write their answer to question 50.