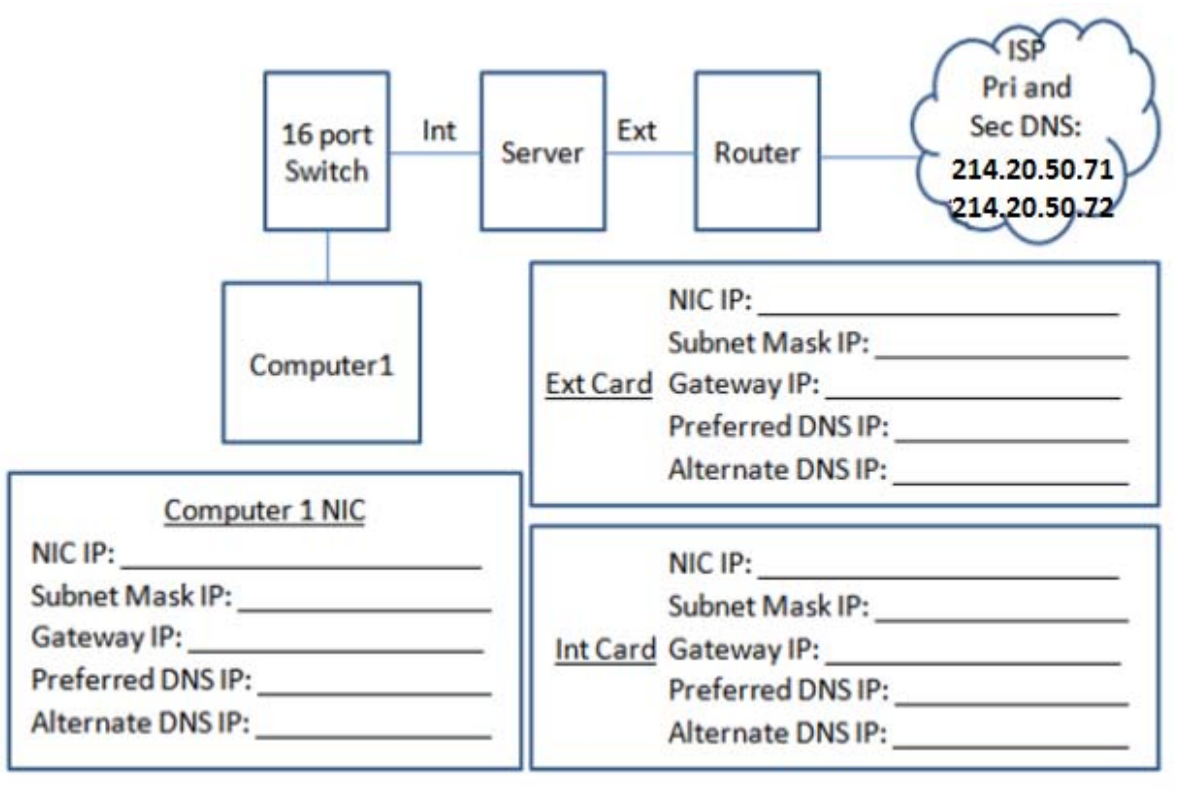


Network Administration Final Exam

8. Most businesses and home LANs run class C networks. The maximum number of devices on the network is 254. What two IP addresses are not allowed on a class C network? (circle 2)
 a. 192.168.0.150 b. 192.168.0.100 c. 192.168.0.255 d. 192.168.0.0
9. We need to build a small LAN that has router with the address 130.10.0. Our internal network address is 192.168.10. Fill in the correct information for the Ext NIC card, Int NIC card and the NIC card for Computer1. The primary and secondary DNS IP addresses for the ISP are shown in the cloud.



10. The Network Configuration operator is able to use what TCP utility to discover the name of the DNS server?
 a. PING b. IPCONFIG c. TRACERT d. NSLOOKUP

Match the following Active Directory graphics to their object by writing the letter next to the number.

- | | | | | |
|-----|--------------------------|------------------------------|---|--|
| 11. | <input type="checkbox"/> | Silhouette of people | A | Defines the entire Active Directory forest |
| 12. | <input type="checkbox"/> | Rectangle | B | Shows multiple servers in a domain |
| 13. | <input type="checkbox"/> | Triangle | C | Represents a unit such as managers |
| 14. | <input type="checkbox"/> | Group of connected triangles | D | Represents a domain controller |
| 15. | <input type="checkbox"/> | Circle | E | Connects two trees together |
| 16. | <input type="checkbox"/> | Line | F | Represents a logical unit such as company's department |

Network Administration Final Exam

17. On a client's computer, we cannot see Domain Controller we wish to connect to. What can we check to help troubleshoot the situation? (circle all that are correct)

- a. Ping the server from the client using the server NetBIOS name
- b. Check to see if the firewall on the client is on
- c. Verify the server domain name for spelling errors
- d. Run the dcdiag.exe program

Match the following file types with their applications by writing the letter next to the number.

- 18. WIM A 2007 or 2010 Word Document
- 19. PDF B Adobe document file
- 20. DOCX C Image file for a WDS server

21. User must change password at next logon is the typical default for new _____.

- a. OUs
- b. Groups
- c. Domains
- d. Users

Match the cable to the typical speed

- 22. Coax cable A 1 Gbps
- 23. Fiber optic B 10 Gbps
- 24. Category 6 cable C 10 Mbps

25. What tab in the User Properties window allows the administrator to logout a user for not accessing their computer for a period of time?

- a. Member
- b. General
- c. Telnet
- d. Sessions

We are trying to troubleshoot a group of Windows 2003 Domain Controllers (DCs) in the tree. How many hard drives do we need to manage a Windows 2003 server having a these different RAID setups?

- 26. Mirroring
- 27. Mirroring and Striping
- 28. Basic Striping on a Windows 2003 server with no backup between drives
- 29. Striping on a Windows 2003 server with backup between drives

30. Companies like CISCO recommend approximately _____ signal strength on wireless networks.

- a. 50%
- b. 30%
- c. 40%
- d. 10%

31. The default number of tries a user can attempt before lockout in a Windows 2003 Server is

- a. 1
- b. 3
- c. 5
- d. 7

32. One of the servers in the organization is called RIS.Domain.Local. This server used to

- a. Install OS remotely
- b. Control email
- c. Control databases
- d. Control printing

33. A client that will have the hard drive loaded through the network needs the _____ set in the BIOS.

- a. PEX
- b. PXE
- c. EXP
- d. SSE

34. Network Managers visit their LANs once a _____ either physically or virtually.

- a. Day
- b. Week
- c. Month
- d. Year

Network Administration Final Exam

52. A network printer has a dedicated TCP/IP address.

- a. True b. False

53. What IP address has to be free for ICS setup?

--

54. Wireless routers have four or more wired ports that can transmit up to _____ using Category 6 cable.

- a. 1000 mbps b. 10000 mbps c. 10 mbps d. 100 mbps

55. . In what two areas in Folder sharing do we set the username?

--	--

56. We will build a server at home and use our organization’s name, Gamewizard for the domain name. To setup Active Directory as gamewizard.com, we should purchase gamewizard.com as a _____.

- a. Registered FQDN b. Web server c. Backup server d. Local server

57. What 2003 servers support clustering?

--	--

58. What are three types of connection security for clients connecting to a router?

- a. WIT b. WEP c. WPA d. WPA2

59. When we are setting up router or a server with a static IP, we uncheck

- a. Enable HTTP b. Enable NTFS c. Enable DNS d. Enable DHCP

60. When setting up a wireless router, we want the passphrase to have at least one number, at least one capital letter, at least one lower case letter and possibly a special character. We also want the password to have at least _____ characters.

- a. 4 b. 5 c. 3 d. 6

61. What is the maximum number of devices on the following networks?

	Exponent Formula	Number of Devices	Subnet Mask
Class A			
Class B			
Class C			

62. What are the beginning and ending first octet of the following TCP/IP classes?

Class A		
Class B		
Class C		

Network Administration Final Exam

63. How many subnets for the following masks and IP addresses?

Network Address	Subnet Mask	Number of Devices
15.0.0.0	255.254.0.0	
128.10.0.0	255.255.224.0	
192.168.10.0	255.255.255.192	

	64. This TCP/IP utility gives te user the name and IP address of the DNS server	A	NSLookup
	65. This TCP/IP utility requests an IP address from a DHCP server	B	Ping
	66. This TCP/IP utility removes the IP address given to a computer from a DHCP server	C	IPConfig/release
	67. This TCP/IP utility can test the connection between a client and server	D	IPConfig/renew

68. What two DNS test can we run using DNS monitoring?

--	--

69. Tim Mills is going on vacation to New York for a month this July. On his first day of vacation, we will check what box in the properties window?

--

70. What are three types of messages in the Event log?

--	--	--

71. How do we setup ICS on a server?

--

Network Administration Final Exam

72. If you moved a computer that was working seamlessly on a 100Mbps hub-based network to a 1000 Mbps hub-based network to a 1000Mbps hub-based network, and you are having intermittent problems staying connected to the network, what is the first thing you should do?
- a. Open the computer and replace the NIC card
 - b. Replace the hub
 - c. Test the cable
 - d. Uninstall and reinstall the NIC driver

73. _____ will protect the Windows Server against malicious software and Spyware. It is available for Windows 2003 server, and computers with Vista and XP operating systems
- a. Window's Spynot
 - b. Windows' Defender
 - c. Windows' AntiVirus
 - d. Windows' SpyNot

74. Write the TCP utility expression to remove an IP address from a dynamically set Network Interface Card (NIC).

75. Write the TCP utility expression to add an IP address from a dynamically set Network Interface Card (NIC).

76. When dividing the class B network into 8 subnets, we write the subnet mask as
- a. 255.255.192.0
 - b. 255.255.224.0
 - c. 255.255.248.0
 - d. 255.255.255.224

77. What TCP/IP octet is reserved for network administrators?
- a. 127
 - b. 128
 - c. 192
 - d. 255

78. The default duration for DHCP leases on a Windows 2003 server scope is?
- a. 8 minutes
 - b. 8 seconds
 - c. 8 hours
 - d. 8 days

79. We have a wireless router system running for a school WiFy system. What would we set the DHCP lease to for a network that is in constant change from different users?
- a. 1 day
 - b. 1 hour
 - c. 1 week
 - d. 1 minute

80. To view the computers that are active on the DHCP server, we select _____ on the DHCP window.

81. Why do we turn off the client's firewall?

82. Malicious software removal tools full server scans should typically run at
- a. 1 PM
 - b. 2 AM
 - c. 9 AM
 - d. Noon

83. When we are setting up a VPN, we use port forwarding to direct a DNS request to our server.
- a. True
 - b. False

Network Administration Final Exam

84. Name two DHCP server options and their purpose.

85. The computer lab at the college is wired in a

- a. Bus topology b. Bus protocol c. Star protocol d. Star topology

86. What type of coaxial Ethernet media support a maximum segment length of 185 meters?

- a. 10Base5 thicknet
- b. 10BaseT Ethernet
- c. 10BaseFX Fiber net
- d. 10Base2 thinnet
- e. 10Base185 thickweb

87. What is the only layer 1, OSI model device inside the computer?

- a. Motherboard b. SCSI bus c. DB-25 SCSI card d. NIC

88. List 12 Organization Units (OUs) we can find on a Domain Controller.

89. Explain how to make a change to the system registry to change the local machine W32Time Config AnnounceFlag setting.

90. What is the name of the boot file for the Windows XP operating system on the RIS server?