

Appendix

G

Programming Problem 32

This drawing is present to challenge anyone with the time and the energy to duplicate the standards of the Door Window program. The code requires the same skill set as learned in the dimensioning chapter, so you should be able to achieve a similar result as you did in chapter 9 with multiple views and dimensions.

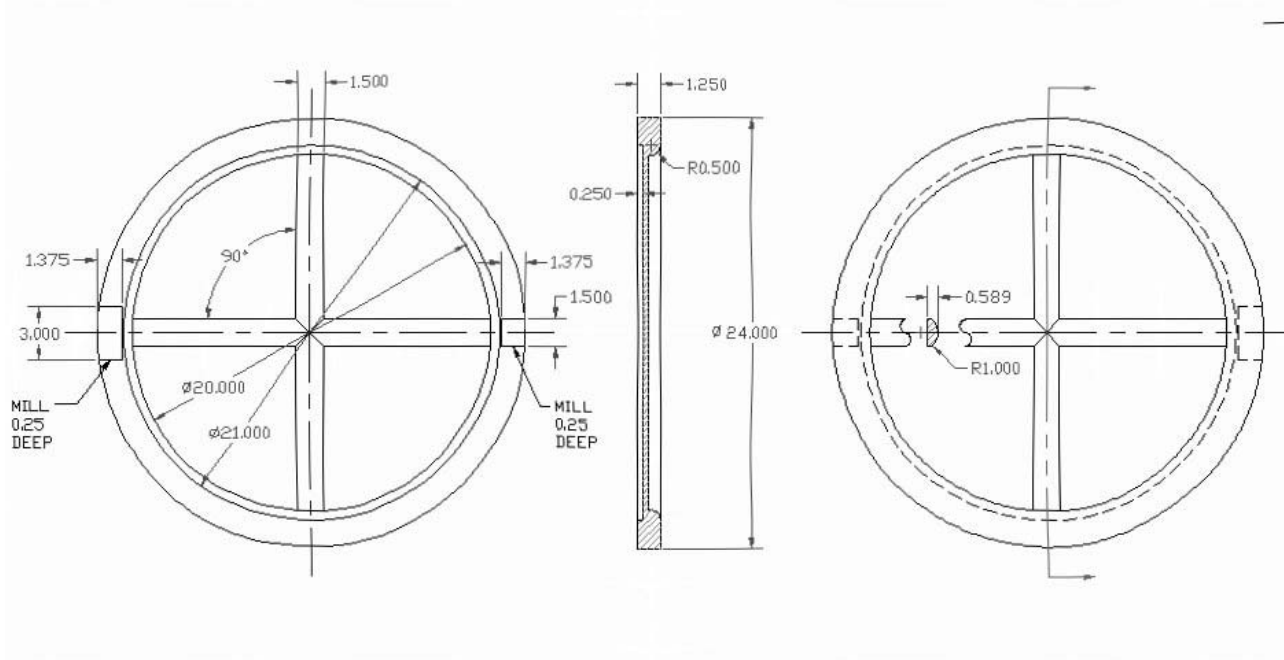


Figure G.1 – Round Window Frame

*** World Class CAD Challenge * - Create a New AutoCAD file and draw the entire Round Window Frame on proper layers, using proper dimensions and finally placing the points and x and y grid on the drawing. Save your drawing as Round Window Frame.dwg. Open the Visual AutoLISP editor and code the round window frame problem using the Construction coding method including dimensions. Save the code as round window frame.lsp.**

Send your copy of your drawing and code for verification to the authors of these problems to have your name and location posted. See the web site for instructions.

www.worldclasscad.com