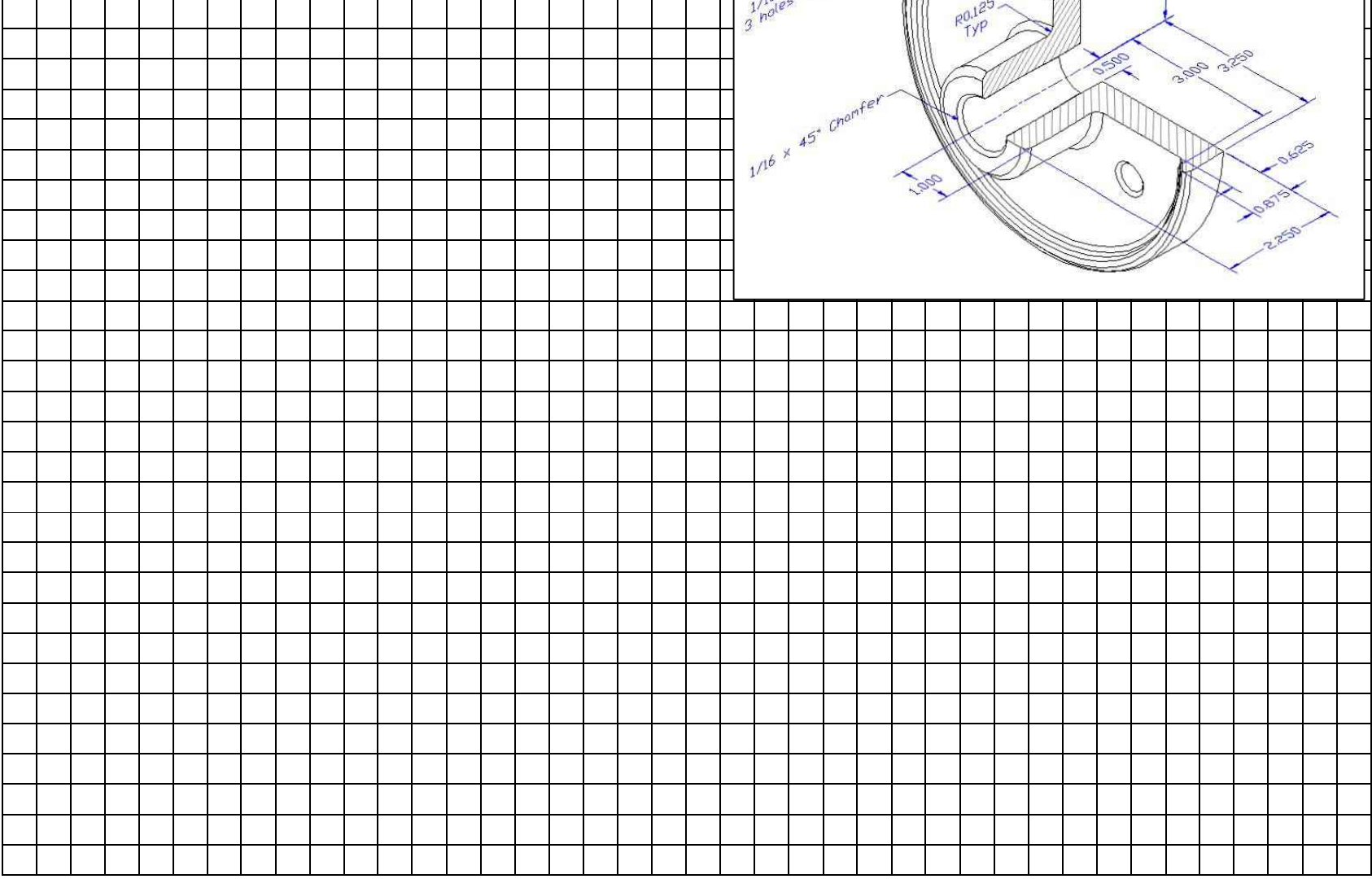


Engineering Drawing

Revolved Section Drill 1



Engineering Drawing

Revolved Section Drill 2

