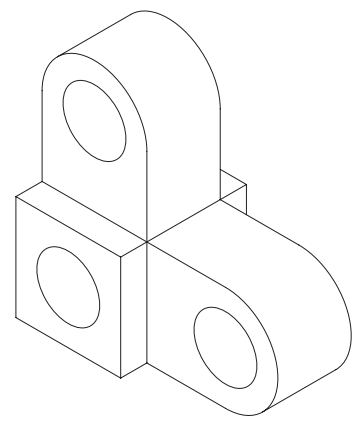
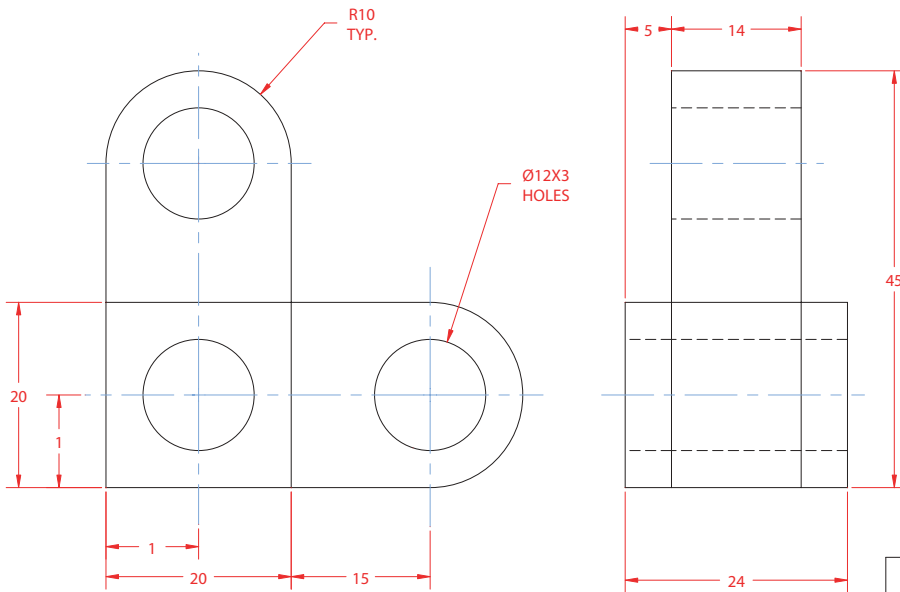


Notes:

1. Material: Brass.
2. Remove all sharp edges and burrs.
3. Nickel plate.
4. Tolerances unless otherwise specified:
Decimal: ± 0.010
Angular: $\pm 0.1^\circ$
5. Weight: 0.31 LBS.



WCC World Class CAD 1147 Rice Ave Gahanna, Ohio 43230 www.worldclasscad.com	Drawing Name: Problem 6-5		
	Project: Fundamentals of 3D Drawing		
	Drawn By: A Perry	Date Drawn: 2/15/2006	
	Checked By: C Robbins	Date Checked: 2/15/2006	
	Approved By: M Bughman	Date Approved: 2/15/2006	
	Scale: 1=1	Drawing No.: 03-05	Rev.: A