

Appendix

A

Model Challenge 1

This drawing is present to challenge anyone with the time and the energy to duplicate the standards of the sketch and model chapters. The drawing requires the same skill set as learned in the chapters, so you should be able to achieve a similar CAD drawing time and accuracy score.

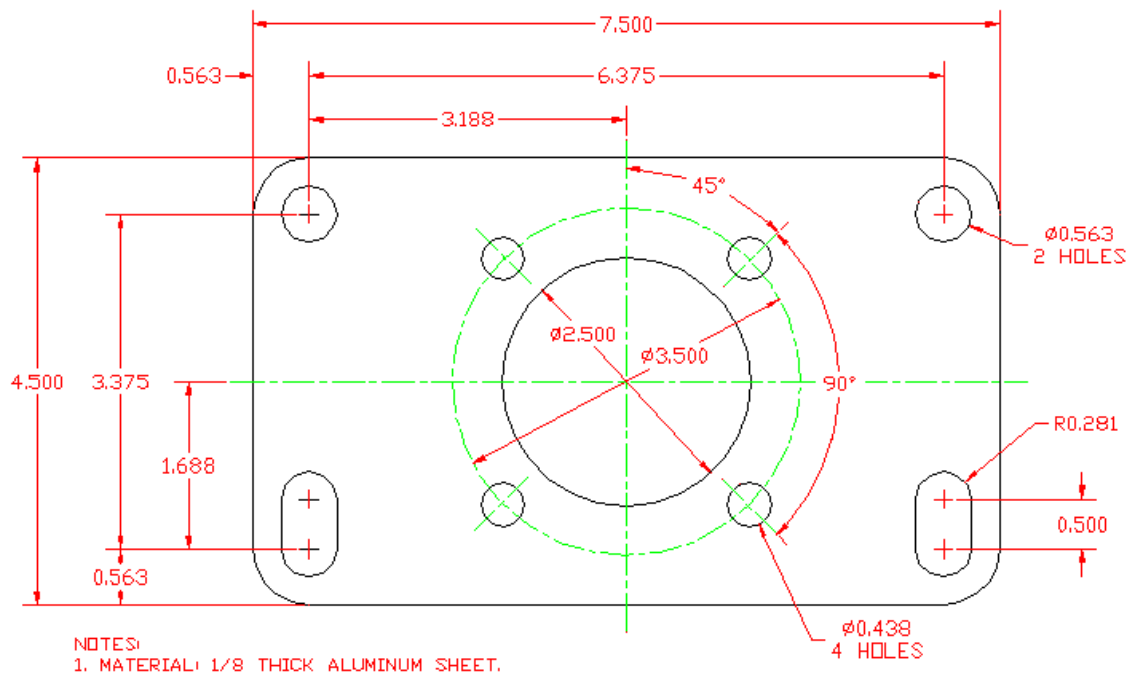


Figure A.1 – The Mounting Plate

*** World Class CAD Challenge 61-A1* - Create a New file and model the entire mounting plate. Continue this drill four times, each time completing the drawing under 15 minutes to maintain your World Class ranking.**

Send your best time and a copy of your drawing for verification to the authors of these problems to have your name, location and time posted. See the web site for instructions. www.worldclasscad.com