

PRO-ENGINEER WILDFIRE REFERENCE GUIDE

Start Parts

Before implementing a daily use of PRO-E it is recommended to create a small library of “start parts”. These start parts will already have all the general required information and a drawing page linked to it.

Important Note

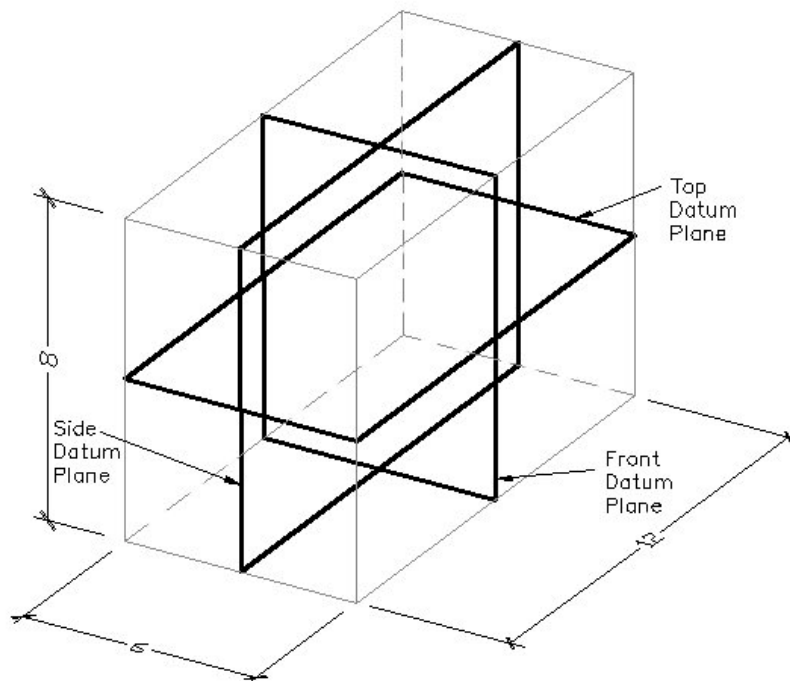
All of these parts will have the Datum Planes meeting in the center of the start part.

Recommended Parts

- Solid Start Part
 - Steel Start Part
 - Stainless Steel Start Part
 - Aluminum Start Part
- and
- Start Assembly

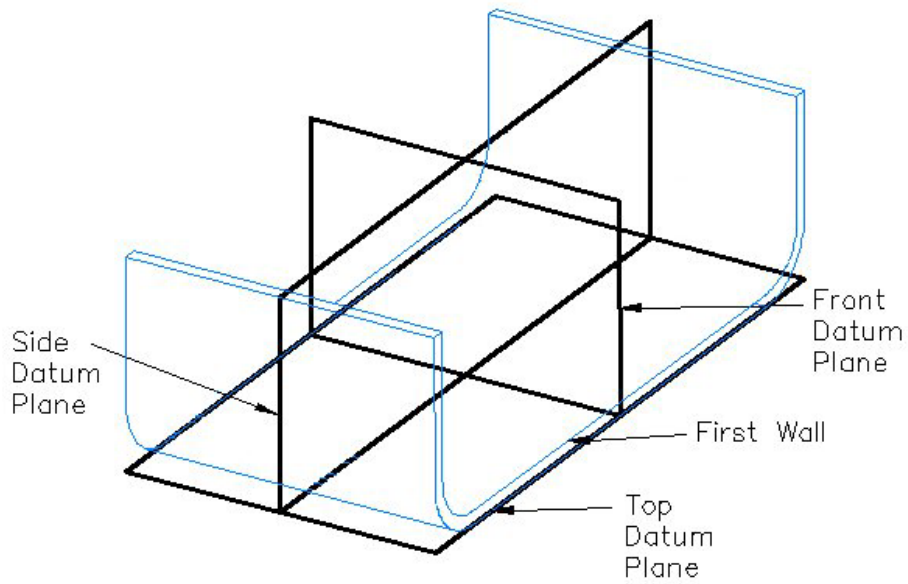
Note on steel, stainless and aluminum start parts

Creating three different metal start parts will allow the start part to have the properties and bend allowance already imbedded in the part from the beginning.



Solid Start Part

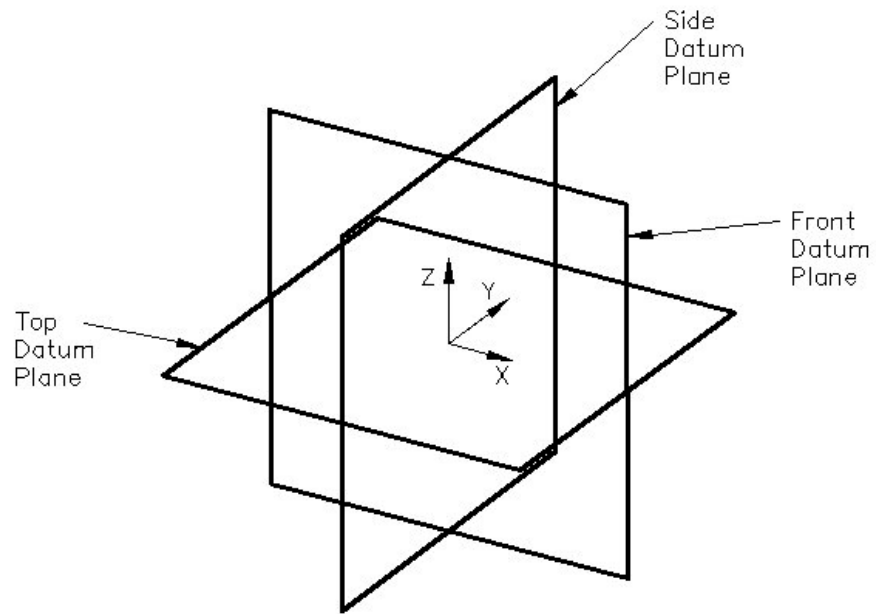
PRO-ENGINEER WILDFIRE REFERENCE GUIDE



Steel Start Part
Stainless Steel Start Part
Aluminum Start Part

Note:

On metal parts the Datum Planes always respect the “First Wall”



Start Assembly