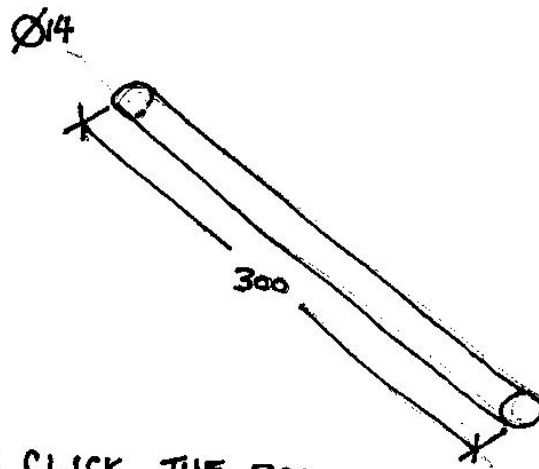


EDITING MODELS



* DOUBLE CLICK THE 300
AND ENTER 250.

* **EDIT**

REGENERATE

* THIS UPDATES MODEL

* **EDIT**

DEFINITION

* Now DRAG THE "DEPT HANDLE" TO 250

COMPLETE FEATURE



CLICK

CLICK ON TO
COMPLETE FEATURE

FILE

SAVE

SAVE FILE

WINDOW

CLOSE

