

## Virtual Private Network (VPN) Quiz

Name: \_\_\_\_\_ Date: \_\_\_\_\_

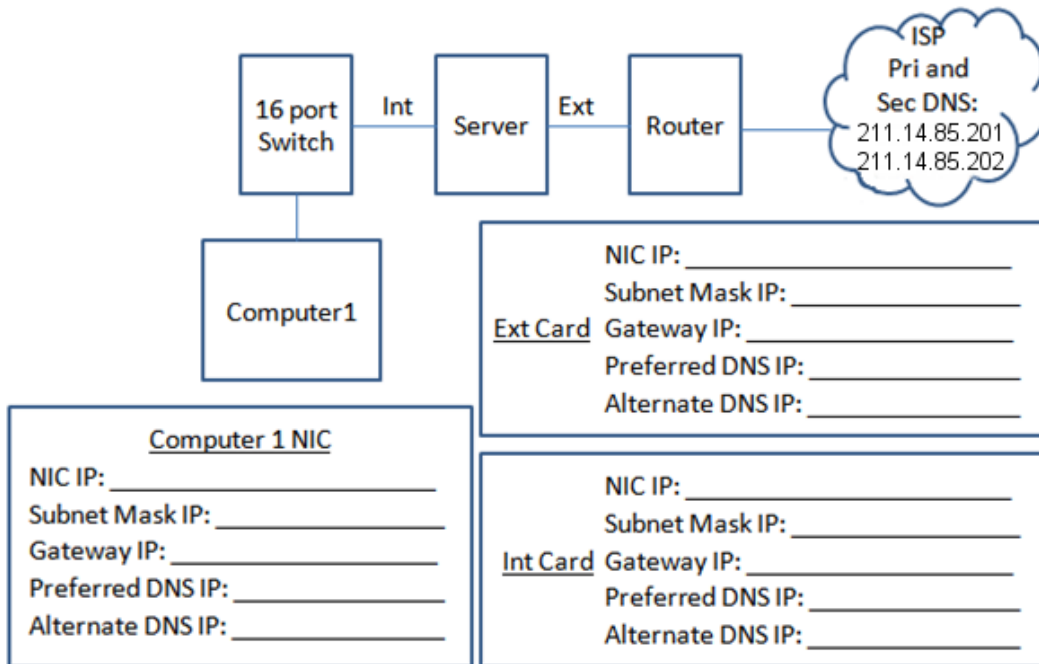
1. When a client requests connection to a Domain Controller through a VPN, what data is required?

|  |  |  |
|--|--|--|
|  |  |  |
|--|--|--|

2. Place a "B" before the item done first:

- |   |  |
|---|--|
| <ul style="list-style-type: none"> <li>a. ____ Create a shared folder on the DC</li> <li>b. ____ Load Active Directory</li> <li>c. ____ Add a second SATA drive</li> <li>d. ____ Ping the server from the client</li> <li>e. ____ Plan Scopes, IP Range, Subnets</li> <li>f. ____ Set exclusions</li> </ul> | <ul style="list-style-type: none"> <li>____ Create a User Account in AD</li> <li>____ Setup RRAS</li> <li>____ Install RAID 1 system</li> <li>____ Join the network</li> <li>____ Install DHCP</li> <li>____ Create a scope</li> </ul> |
|---|--|

3. We need to build a large LAN that has router with the address 15.0.0.1. Our internal network address is 128.10.0.1. Fill in the correct information for the Ext NIC card, Int NIC card and the NIC card for Computer1. The primary and secondary DNS IP addresses for the ISP are shown in the cloud.



4. Write the four subnets of the Class B network 150.10.0.0 with the subnet mask 255.255.255.192

| Subnet Mask            | No. of Subnets | Number of Hosts | Network Address | Usable IP Range | Broadcast Address |
|------------------------|----------------|-----------------|-----------------|-----------------|-------------------|
| <b>255.255.255.192</b> |                |                 |                 |                 |                   |
|                        |                |                 |                 |                 |                   |
|                        |                |                 |                 |                 |                   |
|                        |                |                 |                 |                 |                   |

## Virtual Private Network (VPN) Quiz

Match the following server types with their description by writing the letter next to the number.

- |     |                      |                  |   |   |
|-----|----------------------|------------------|---|---|
| 5.  | <input type="text"/> | NAT server       | A | Determines print priority                       |
| 6.  | <input type="text"/> | WINS server      | B | Allows multiple users to a single database      |
| 7.  | <input type="text"/> | Print server     | C | Resolves NetBIOS requests                       |
| 8.  | <input type="text"/> | VPN server       | D | Can synchronize time between network devices    |
| 9.  | <input type="text"/> | DHCP server      | E | Runs the Active Directory database              |
| 10. | <input type="text"/> | SQL server       | F | Resolves request to the Internet                |
| 11. | <input type="text"/> | WDS server       | G | Only one IP address seen by the Internet        |
| 12. | <input type="text"/> | NTP server       | H | Clients can install an operating system from it |
| 13. | <input type="text"/> | DNS server       | I | Gives out IP addresses to clients               |
| 14. | <input type="text"/> | Doman controller | J | Allows remote access                            |

15. What is a minimum number of Domain Name Servers recommended for a computer network?  
\_\_\_\_\_

16. What are the three types of primary look up zones a network administrator can use when adding a new zone to a Domain Name Server?

|                      |                      |                      |
|----------------------|----------------------|----------------------|
| <input type="text"/> | <input type="text"/> | <input type="text"/> |
|----------------------|----------------------|----------------------|

17. What would the primaries lookup zone name be on a DNS server for [www.test.net](http://www.test.net)?

- a. net                      b. test                      c. www.test.net                      d. Test.net

18. A secondary lookup zone on a Domain Name Server is for the \_\_\_\_\_ server.

19. What is the default lease duration on a Windows 2008 DHCP server? \_\_\_\_\_

20. Thomas, the network administrator wants to enable a VPN connection for several managers at the company. In Active Directory Users and Computers, he right clicks on the User' name and opens the properties window. What tab will allow him to enable the VPN remote connection for the supervisors? \_\_\_\_\_

21. On a Windows 7 client, where do we go to create a VPN connection?

- a. Setup a VPN hyperlink  
b. Setup a new connection or network hyperlink  
c. Setup a NAT hyperlink  
d. Setup a VPN and NAT hyperlink

22. When we connect to the workplace, we probably do not want to annotate what checkbox in the VPN connection setup?

- a. Save domain name and password  
b. Save username and password  
c. Save password and workgroup name