

Name: _____ Date: _____

Final: VPN, DHCP, Routers, Active Directory, Virus Protection, RAID, Setting up Groups, Print and File Servers, DNS, ICS, Subnetting, Security Policies, Predefined Groups and Adding Administrators to a Windows 2003 Server

1. You do not own a Fully Qualified Domain Name for your home based business server. What FQDN will you want to use?
a. Domain.local b. Domain.net c. Domain.org d. DNS.net
2. Our supervisor has us join a domain and instructs us that our FQDN is **service.mechanics.com**. What is the domain NetBIOS name for the domain controller mechanics.com?
a. SERVICE b. COM c. MECHANICS d. Mechanics.com
3. We just setup the domain controller for our company Rodney.com. We use the typical configuration for the server. What is setup on the server after the configuration wizard is done?
a. NAT b. Print server c. Web server d. Active Directory
e. SQL server f. DNS server g. DHCP server h. SQL server

4. We are building a classroom server. What are three logical groups to control domain services?

5. When using Internet Connection Service (ICS), what network connection gets the ICS box checked?
a. External b. Internal c. Middle d. DNS
6. When we want the VPN server to be contacted through a router, we use
a. reverse lookup b. forward lookup c. port forwarding d. reverse ports
7. What is the purpose of ICS?

--

8. What two policies define smart passwords on a 2003 server?

9. When adding a client to a domain, what three items do we need to logon?

Network Administration Final Exam

10. When setting up a VPN server, we turn off
a. DNS b. DHCP c. The router d. ICS

11. Name four free DNS servers that small business can use for forward lookup.

12. Including the Operating System, how many drives do we need for RAID 1 when backing up data?
a. 1 b. 2 c. 3 d. 4

13. The school systems you are working for has 2500 computers for the 5 network technicians and managers. Your administrator has given you a subnet mask for the five new computers to be installed in the library LAN. You know that the entire system is a Class B network. What should the subnet mask be?
a. 255.255.255.128 b. 255.255.0.128 c. 255..0.0.0 d. 255.255.0.0

14. Name the four different Windows 2003 servers sold by Microsoft.

15. The replacement for the older TCP/IPv4 protocol is
a. TCP/IPv2 b. TCP/IPv9 c. TCP/IPv8 d. TCP/IPv6

16. The subnet mask is 255.255.255.0. You can hardly read the first octet of the TCP/IP address. Which one of these first octets goes with the subnet mask?
a. 10 b. 127 c. 128 d. 194

17. Most businesses and home LANs run class C networks. The maximum number of devices on the network is 254. What two IP addresses are not allowed on a class C network? (circle 2)
a. 192.168.0.150 b. 192.168.0.100 c. 192.168.0.255 d. 192.168.0.0

18. A mixed mode wireless router can connect with _____ wireless NICS.
a. 811.2g b. 802.1g c. 802.11g d. 802.2a

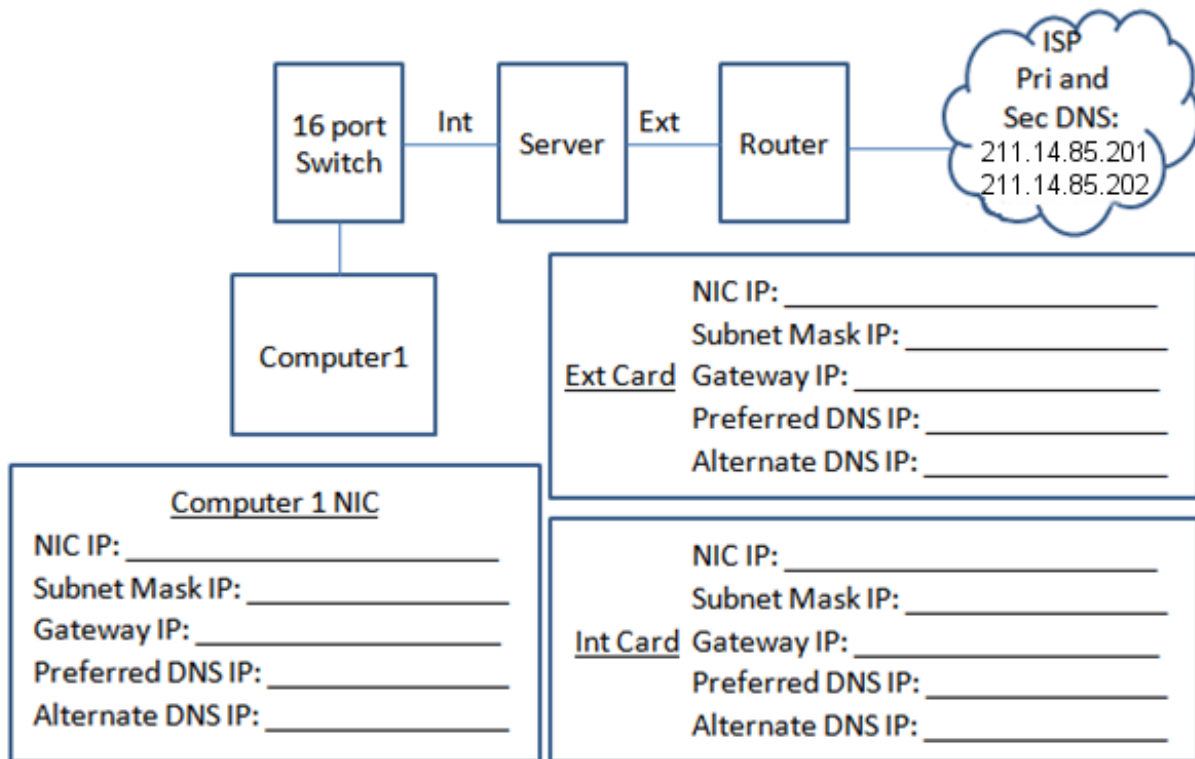
19. After setting up your Server and your external network connection, you connect the Category 5e cable to the 100 Mbps NIC and test the link to the router by typing _____ at the command line.
a. ping 255.255.255.0 b. nslookup 192.168.0.1 c. ping 192.168.0.1 d. tracert 192.168.0.255

20. When setting up a Static IP network, we uncheck the router's _____ checkbox.
a. ISP b. DHCP c. Port forwarding d. DNS

21. Write the two subnets of the Class C network 192.100.50 with the subnet mask 255.255.255.128

Subnet Mask	No. of Subnets	Number of Hosts	Network Address	Usable IP Range	Broadcast Address
255.255.255.128					

22. We need to build a small LAN that has router with the address 194.100.60.1. Our internal network address is 192.168.0. Fill in the correct information for the Ext NIC card, Int NIC card and the NIC card for Computer1. The primary and secondary DNS IP addresses for the ISP are shown in the cloud.



Match the following Active Directory graphics to their object by writing the letter next to the number.

- | | | | | |
|-----|----------------------------|------------------------------|---|------------------------|
| 23. | <input type="checkbox"/> B | Group of connected triangles | A | Organization Unit (OU) |
| 24. | <input type="checkbox"/> | Circle | B | Tree |
| 25. | <input type="checkbox"/> | Line | C | Group |
| 26. | <input type="checkbox"/> | Rectangle | D | Domain |
| 27. | <input type="checkbox"/> | Triangle | E | Trust |
| 28. | <input type="checkbox"/> | Silhouette of people | F | Forest |

29. The Network Configuration operator is able to use what TCP utility to reset computer IP addresses?

- a. PING b. IPCONFIG c. TRACERT d. NSLOOKUP

Network Administration Final Exam

30. What two items do we enter for MAC filtering on the router to only allow clients to access the router by being listed?
- a. Computer name b. ISP address c. Subnet mask d. MAC Address
31. One of the items on the Network Administrator's checklist after RAID setup for data protection is
- a. Offsite backup b. ISP backup c. DNS backup d. Local backup
32. We have just added a user, created a folder and have given permissions to the user to have full control of the folder. What type of server did we just create?
- a. DHCP server b. DNS server c. VPN server d. File server
33. On a client's computer, we cannot see Domain Controller we wish to connect to. What can we check to help troubleshoot the situation? (circle all that are correct)
- a. Ping the server from the client using the server NetBIOS name b. Check to see if the firewall on the client is on c. Verify the server domain name for spelling errors d. Run the dcdiag.exe program
34. We have just added remote access to our server for connection from our home computer. What type of server would this be?
- a. DHCP server b. DNS server c. VPN server d. File server
35. What TCP/IP utility checks for connection specifically to a DNS server?
- a. Command b. IPConfig c. NSLookup d. Tracert
36. When setting up a domain controller, the system will reboot ____ times.
- a. 3 b. 2 c. 1 d. 0
37. In the class B subnetting scheme, we have 255 in the first two octets for the class B mask and 224 in the third octet to tell we have ____ subnets.
- a. 16 b. 2 c. 4 d. 8
38. User must change password at next logon is the typical default for new _____.
- a. OUs b. Groups c. Domains d. Users
39. This RAID setup requires a minimum of 3 hard drives and the data is written to all three drives and is nearly imperishable when coming to data loss.
- a. RAID 5 b. RAID 1 c. RAID 1+0 d. ICS RAID
40. A person who can add new software and set folder sharing on client computers is (circle 2)
- a. User b. Power User c. DHCP Administrators d. Administrators
41. What is the maximum number of passwords the server can save in memory for a single user to prevent toggling?
- a. 28 b. 26 c. 24 d. 20

Network Administration Final Exam

42. What tab in the User Properties window allows the administrator to logout a user for not accessing their computer for a period of time?
- a. Member b. General c. Dial Up d. Sessions
43. What tab in the User Properties window allows the administrator to allow a user to have remote access for a VPN connection?
- a. Member b. General c. Dial Up d. Sessions
44. The Local Security Policy is found in
- a. Control Panel b. Desktop c. Administrative Tools d. Command prompt
45. Home networks often use dynamic IP addressing supplied from their ISP. A fully qualified DNS name such as www.business.homeunix.net can be obtained for free from
- a. Microsoft.com b. Google.com c. dyndns.org d. bigdns.com
46. What two lookup zones are in the DNS Management Console? (circle 2)
- a. Frontal b. Forward c. Repeat d. Reverse
47. We create a _____ when setting up a DHCP server to define the range of IP addresses and those that will be excluded from checking out.
- a. Forward lookup zone b. Root hint log c. Scope d. Router list
48. What Windows function can block the connection between the client and server when users try to utilize server functions such as Active Directory and ICS connections?
- a. Office 2010 software b. Windows Firewall c. FTP Protocol d. DHCP Setup
49. The IT manager at Nationwide Insurance asks that our server uses smart passwords. She logons onto the system to check our work and is able to use the password A1B2C7D8. Is the passphrase a smart password?
- a. Yes b. No
50. What message color in the Event Viewer must be addressed after error messages are fixed?
- a. Green b. Yellow c. Purple d. Red
51. What DNS setup will identify computers on the internal network?
- a. Forward lookup b. B Host record c. SX Host record d. A Host record
52. What two tests do we run on a standard DNS server to verify proper functioning?
- a. Simple query test b. Simple ping test c. Retention query d. Recursive query
53. _____ will protect the Windows Server against malicious software and Spyware. It is available for Windows 2003 server, and computers with Vista and XP operating systems
- a. Window's Spynot b. Windows' Defender c. Windows' AntiVirus d. Windows' SpyNot

Network Administration Final Exam

54. The original hard drive we set on the server on is set to cable select. The CDROM is the second hard drive port. We wish to add a second drive, so we set the original first drive to master and the second drive to _____.

- a. cable select 2 b. cable select 1 c. slave d. master

55. Malicious software removal tools full server scans should typically run at

- a. 1 PM b. 2 AM c. 9 AM d. Noon

56. In Active Directory, the first server in the forest become the

- a. Domain backup b. Domain slave c. Backup server d. Domain Controller

57. A user is locked out of their account after 5 unsuccessful tries to logon their account and they need a file immediately. What can we do? (circle all that apply)

- a. Wait 30 hours until we can try again b. Uncheck the account is disabled checkbox c. Reset their password since they forgot it d. Give them a new username

58. John Jones is going on vacation to Canada for a month this July. On his first day of vacation, we will check what box in the properties window?

--

59. What devices can have exclusive IP addresses on a DHCP server?

- a. Internal NIC b. External NIC c. Network Printer d. Router

60. What DNS zone looks to resolve IP addresses to computer names?

- a. Forward b. VPN zone c. DHCP zone d. Reverse

61. A RAID 1 mirroring setup requires drives that are

- a. Dynamic b. Diffused c. Dipoles d. FAT 16

62. The advantage of a print server is to control printers, set priorities and queues.

- a. True b. False

Match the following server types with their description by writing the letter next to the number.

- | | | | | |
|-----|--|------------------|---|--|
| 63. | | NAT server | A | Determines print priority |
| 64. | | Print server | B | Resolves NetBIOS requests |
| 65. | | VPN server | C | Runs the Active Directory database |
| 66. | | DHCP server | D | Resolves request to the Internet |
| 67. | | DNS server | E | Only one IP address seen by the Internet |
| 68. | | WINS server | F | Gives out IP addresses to clients |
| 69. | | Doman controller | G | Allows remote access |

70. What are three types of connection security for clients connecting to a router?

- a. WEP b. WIF c. WPA2 d. WPA