

Building a Windows 2003 Server

April 26, 2010

Types of Servers

There are four types of Windows 2003 Servers which are the Web, Standard, Enterprise and Datacenter.

The biggest difference between the four is the number of processors the operating system can manage,

Hardware	Web	Standard	Enterprise	Datacenter
Max Processor	2	4	8	64

System Requirements

When we choose a computer for the Windows 2003 Server, we check the systems requirements on the website of the operating system developer, which is the Microsoft Corporation.¹

Hardware	Standard on x86 based computer	Standard on x64 based computer
Min CPU Speed	133 MHz	1.4 GHz
Recommended CPU speed	550 MHz	
Min RAM	128 MB	512 MB
Recommended RAM	256 MB	
Disk Space	2 GB	4 GB
Max RAM	4 GB	4 GB
Max Processor	4	4

Hard Drives for Storage

A single hard drive can contain the operating system and the data files. This is the least desirable setup.

Two hard drives can be used using the RAID 1 setup. One with the operating system and the data files. The second will be a mirror of the first drive.

Four hard drives can be used using the RAID 5 setup. One with the operating system and three hard drives with the data files.



A CDROM for Loading Server

A CDROM is used for loading the server software.

To load the server software, we enter the computer setup when booting the machine. Set the boot sequence to CDROM, then the hard drive. We then save and exit the BIOS setup.

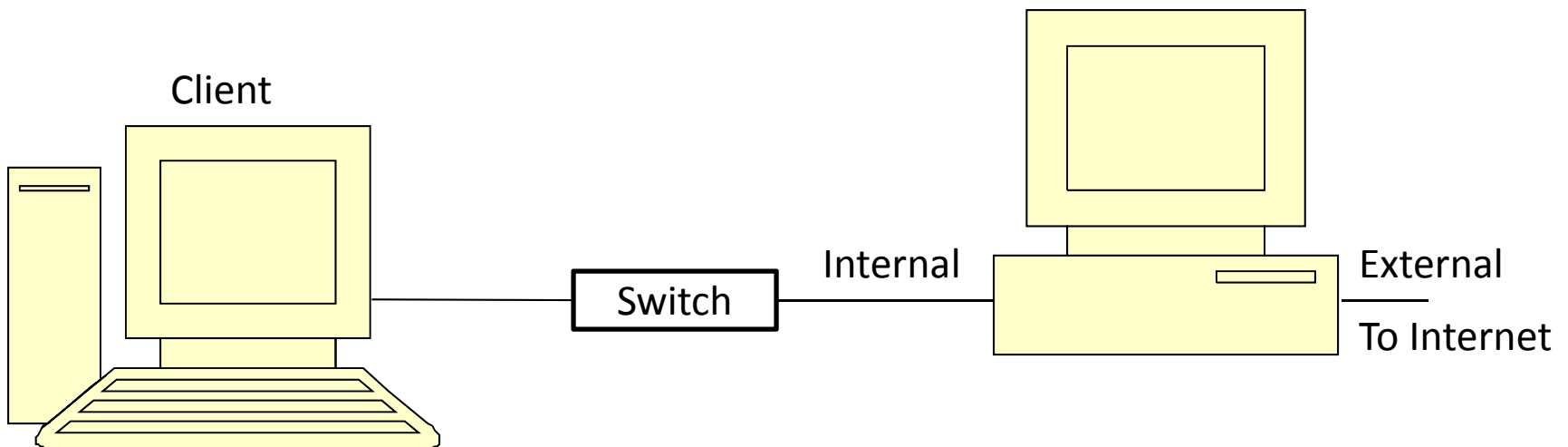
Insert Windows 2003 Server, Disk number 1 into the CDROM and press any key when prompted.



Network Cards

A single Network Interface Cards (NIC) can connect a file server to an existing network.

Two Network Interface Cards (NICs) are utilized in most servers. The External card connects to Internet side of the network. The Internal card attaches to a switch and is distributed to all the clients.



Bibliography

¹ Windows Server 2003, Standard Edition: System requirements, January 21, 2005, Microsoft Corporation, April 26, 2010, [http://technet.microsoft.com/en-us/library/cc738496\(WS.10\).aspx](http://technet.microsoft.com/en-us/library/cc738496(WS.10).aspx)