

Chapter

4

Placing Notes on the Rectangular Problem

This chapter will cover:

- 1. Placing Text**
- 2. Checking Spelling**
- 3. Saving**

Placing Text

Placing text into the drawing will be very simple because you already configured a Text Style in the last chapter. Before you place these notes, change the Active Level in the Active Level Combo Box to the Text level (blue) (Figure 4.1).

A

You will need to zoom out of the workspace, so use the scroll wheel to pull back from the drawing. Now you can select the Place Text tool from the Text Toolbar.

Make sure the Standard text style is selected in the Place Text window, and the active angle should be 0.000°. You will type the notes into the Text Editor – Word Processor window and then place them on the workspace.

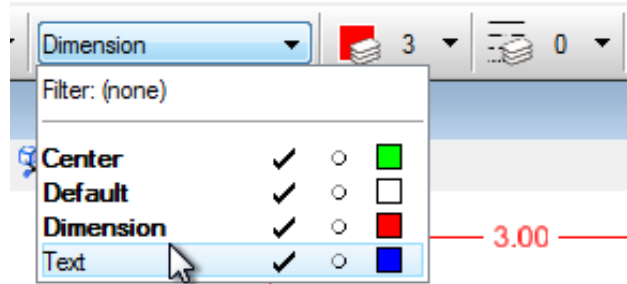


Figure 4.1 – Select Text as the Active Level

The notes you need to type are:

Notes:

1. Material: 0.125 thick aluminum.
2. Remove all sharp edges and burrs.
3. Clear anodize.
4. Tolerances unless otherwise specified:
 - 1 decimal: ± 0.06
 - 2 decimal: ± 0.010
 - 3 decimal: ± 0.003
 - Angular: $\pm 0.5^\circ$

To add the plus/minus symbol and the degree symbol, you have two options. You can copy and paste the symbol from another word processing program, or you can use a keyboard shortcut. For instance, pressing ALT+0177 will place a “±” and pressing ALT+ 0186 will place a “° “. Use TAB to create the space between the numbers and the text.

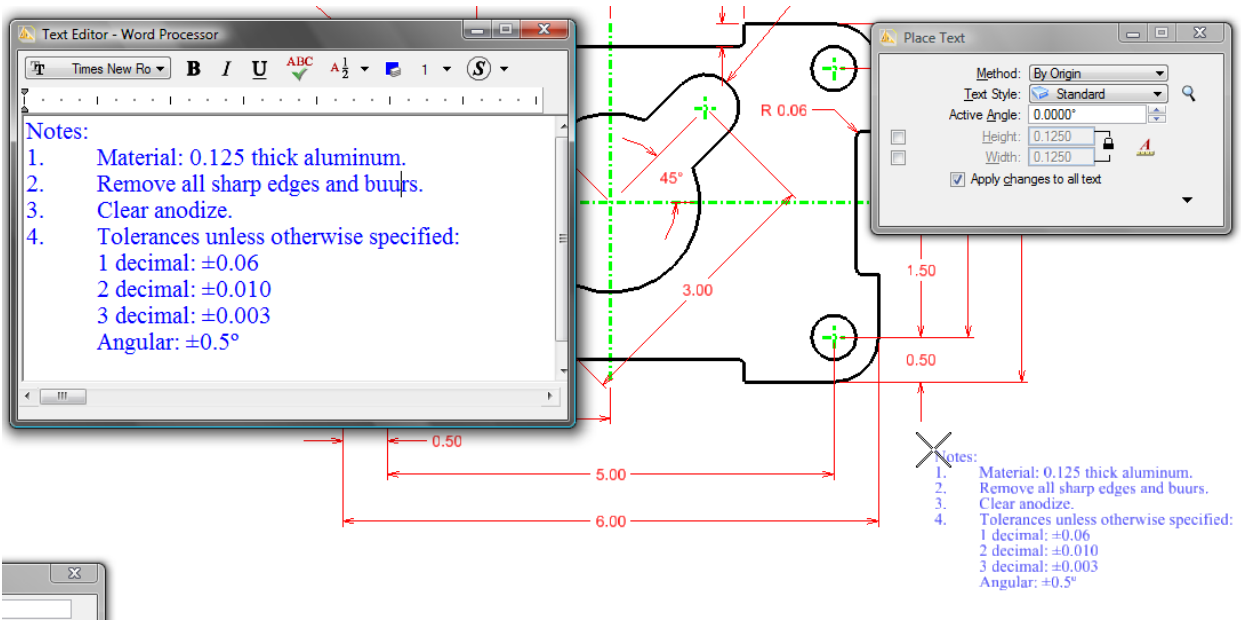


Figure 4.2 – Placing the Notes

Use the cursor to place the text on the workspace on the right below the outermost dimension. Click to place the notes (Figure 4.2).

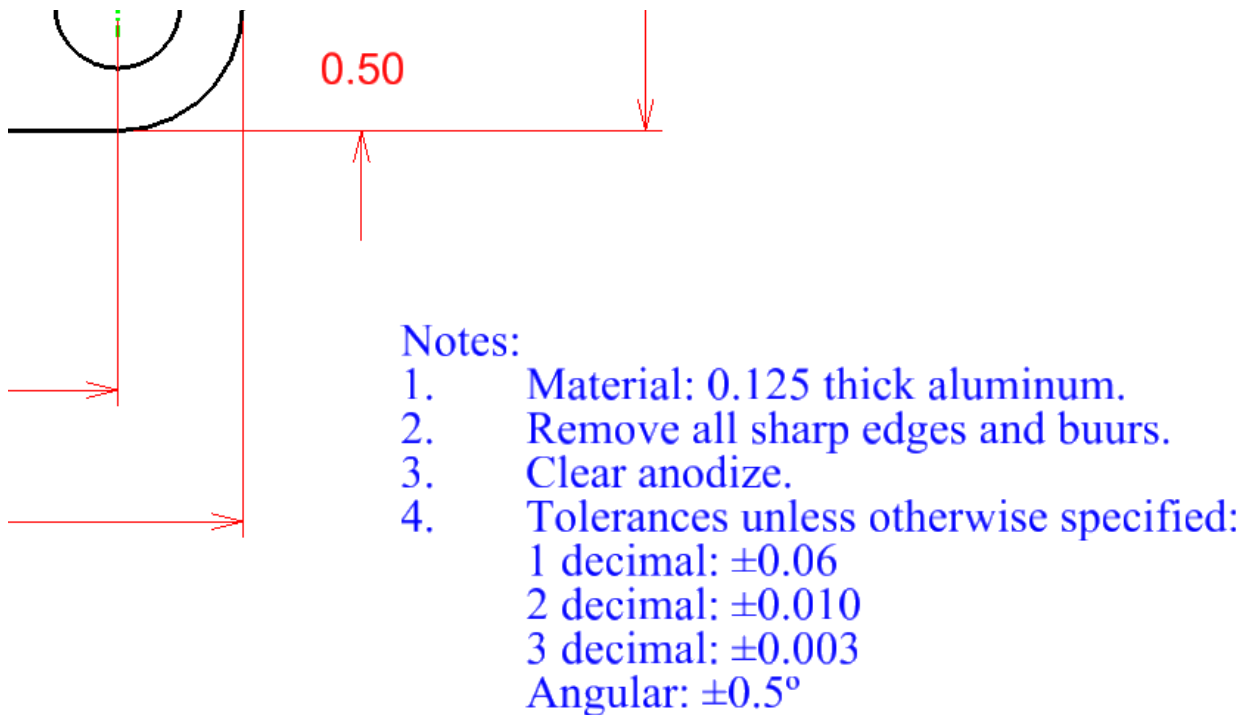


Figure 4.3 – Burrs is Misspelled

Checking Spelling

As you can see in Figure 4.3, the word “Burrs” is spelled “Buurs”. To automatically check the spelling of text, select the Spell Checker tool from the Text toolbar. Click the text to check the spelling (Figure 4.4).

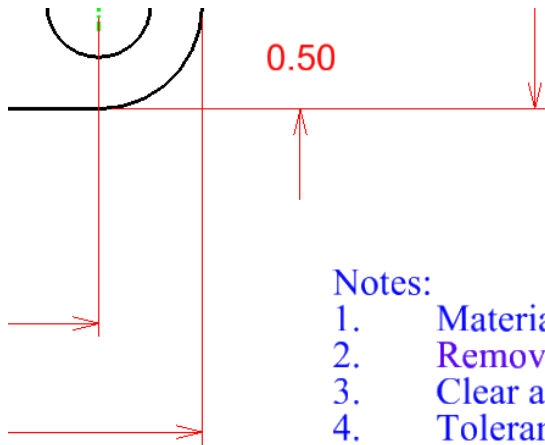


Figure 4.4 – Selecting the Text to Check

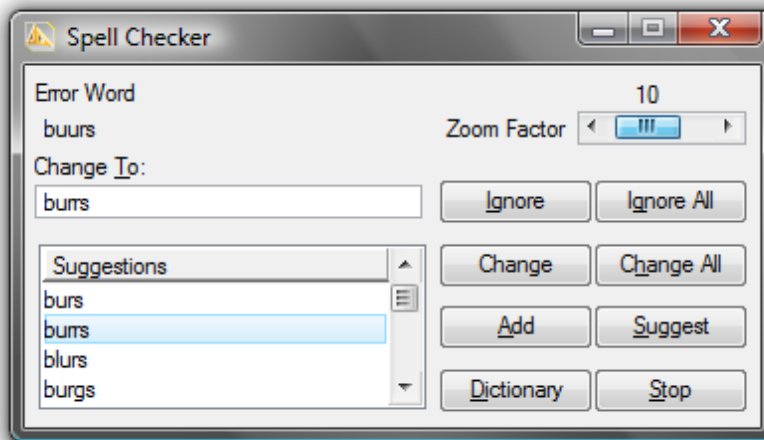


Figure 4.5 – Fixing the Misspelled Word Using the Check Spelling window

The Spell Checker Window will appear with the misspelled word highlighted and suggested replacement words (Figure 4.5). If you misspelled any words in your notes, use the Spell Checker to correct them.

Saving

Select the Save As button from the Standard toolbar and the Save As window will appear. Type “Rectangle Problem” in the Files box and click OK to save (Figure 4.6).

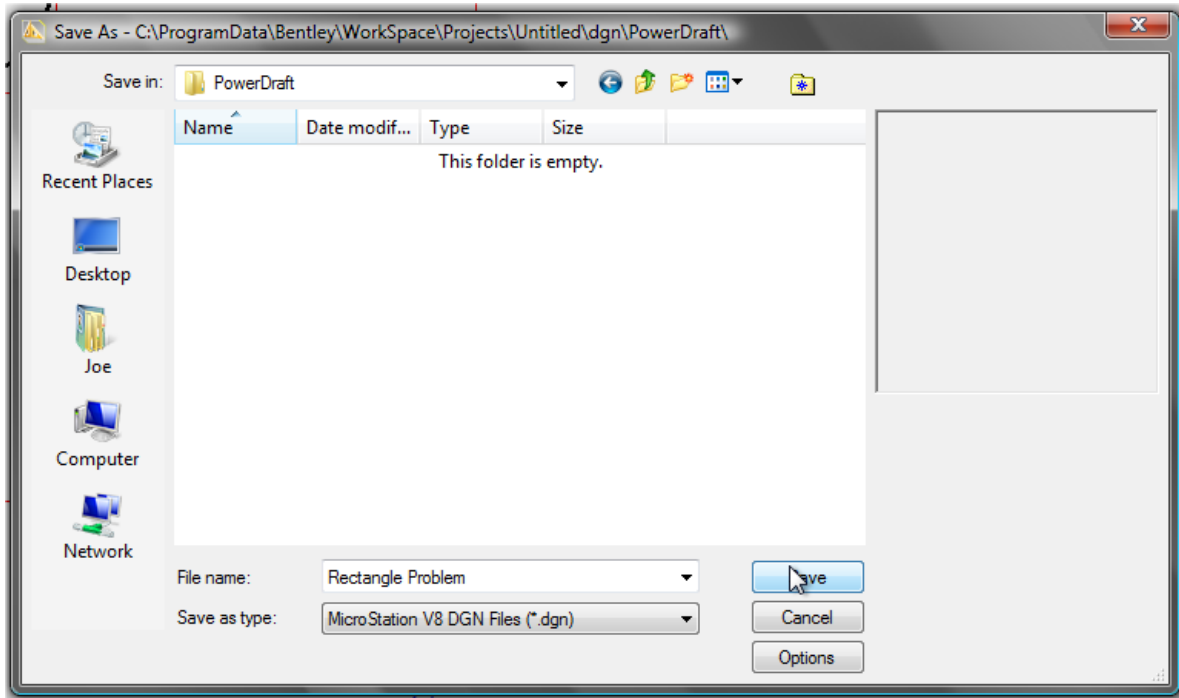


Figure 4.6 – Saving the Drawing

*** World Class CAD Challenge 02-09 * - Close this drawing file. Create a New file and draw the entire rectangular problem on proper layers, using proper dimensions and finally placing the notes on the drawing. Continue this drill four times, each time completing the drawing under 15 minutes to maintain your World Class ranking. The world record for the complete drawing is under 5 minutes. See if you can match that effort, but if you are under 15 minutes, you may proceed to the next chapter, the Circular Problem.**

Send your best time and a copy of your drawing for verification to the authors of these problems to have your name, location and time posted. See the web site for instructions.

www.worldclasscad.com