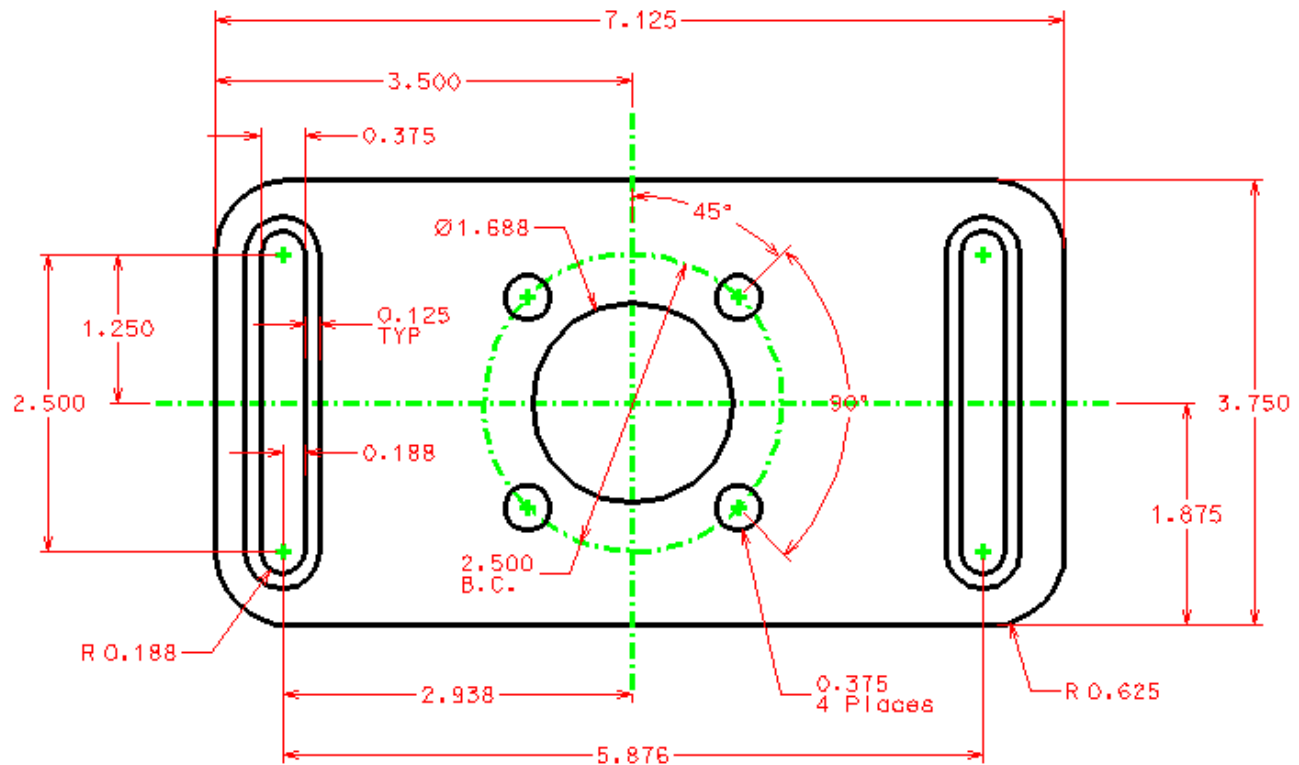


# Appendix

# A

# Rectangular Challenge 1

So you think you're hot stuff? See if you can draw these variations of the rectangle problem without precise directions. Every skill needed to draw these parts has been covered in Chapters 2, 3, and 4; it may take some trial and error to discover exactly what method works best in different situations.



- NOTES:
1. MATERIAL: 0.25 ALUMINUM PLATE
  2. REMOVE ALL SHARP EDGES AND BURRS.
  3. BLACK ANODIZE
  4. TOLERANCES UNLESS OTHERWISE SPECIFIED:  
3 DECIMAL:  $\pm 0.010$   
ANGULAR:  $\pm 0.5^\circ$

Figure A.1 – The Linkage Plate

\* World Class CAD Challenge 02-A1\* - Create a New file and draw the entire linkage plate on proper levels, using proper dimensions and finally placing the notes on the drawing. Continue this drill four times, each time completing the drawing under 15 minutes to maintain your World Class ranking.

