

Appendix

A

Stamping Challenge 1

The stamping shown below will challenge anyone who wants explore creating an 3D solid and orthographic drawing from standard metal sheet. Create the solid and a top and side view of the Holding Clamp in your CAD software.

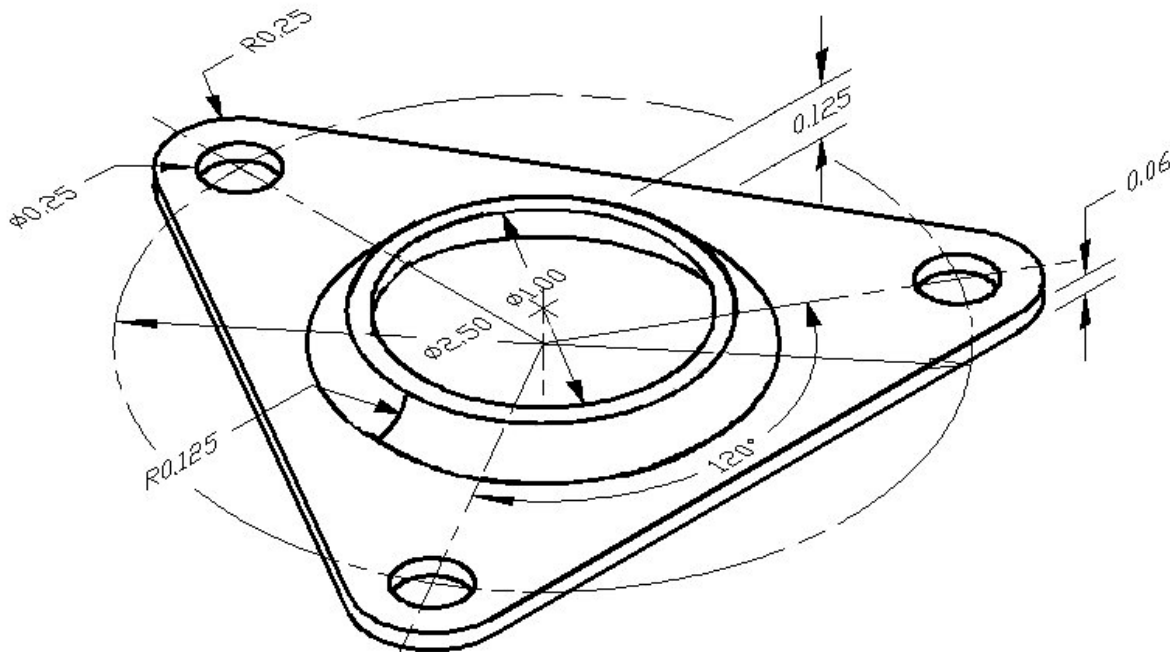


Figure A.1 – Holding Clamp

*** World Class CAD Challenge 08-4 * - Create a New file and draw the Holding Clamp solid using the techniques from Chapter2, of the World Class CAD – Computer Aided Mechanical Design. Continue this drill four times, each time completing the drawing under 30 minutes to maintain your World Class ranking. Save the drawing as Holding Clamp.**

Send your best time and a copy of your drawing for verification to the authors of these problems to have your name, location and time posted. See the web site for instructions.

www.worldclasscad.com