

Appendix

D

VBA Challenge 1

Write a Visual Basic Application running in AutoCAD that will display the drawing name, project name, names of the drawer, checker and approver along with dates for each action in the label marked as drawing information. You can opt to place the computer date in the date textbox by default.

Select fonts, font size and colors consistent with the training in Chapter 2. Refer to the sketch as shown in Figure A.1 that has eight textboxes for input, 10 labels for portraying information and one label, to display all the drawing information.

Drawing Information

Drawing Name:

Project Name

Drawn by: Checked by: Approved by:

Date: Date: Date:

Drawing Information:

Drawing Information.dvb copyright (c) 2006 by Charles Robbins

Figure D.1 – Design Sketch of the Drawing Information Input Form

Save the Visual Basic Application as Drawing Information.dvb in the VBA folder. Follow the instructions in Chapter 2 to save the project and run the program.

*** World Class CAD Challenge 5-2 * - Write a Visual Basic Application that displays the project information for a drawing, along with names and dates for drawing, checking and approving. Include a Reset and exit command button and copyright data. Complete the VBA for AutoCAD application in less than 30 minutes to maintain your World Class ranking.**

Send your best time and a copy of your drawing for verification to the authors of these problems to have your name, location and time posted. See the web site for instructions.

www.worldclasscad.com

Appendix

D

VBA Challenge 2

Write a Visual Basic Application running in AutoCAD that will draw the window as shown in Figure D.2.

The grid pattern on the windowpane will be equally spaced no matter what width and height the user enters onto the form. The form will allow the user to enter the starting point, the width, and the height. There should be command buttons to draw the window, clear the form or exit the program. The form should contain a drawing of the window for visual coordination with the program user.

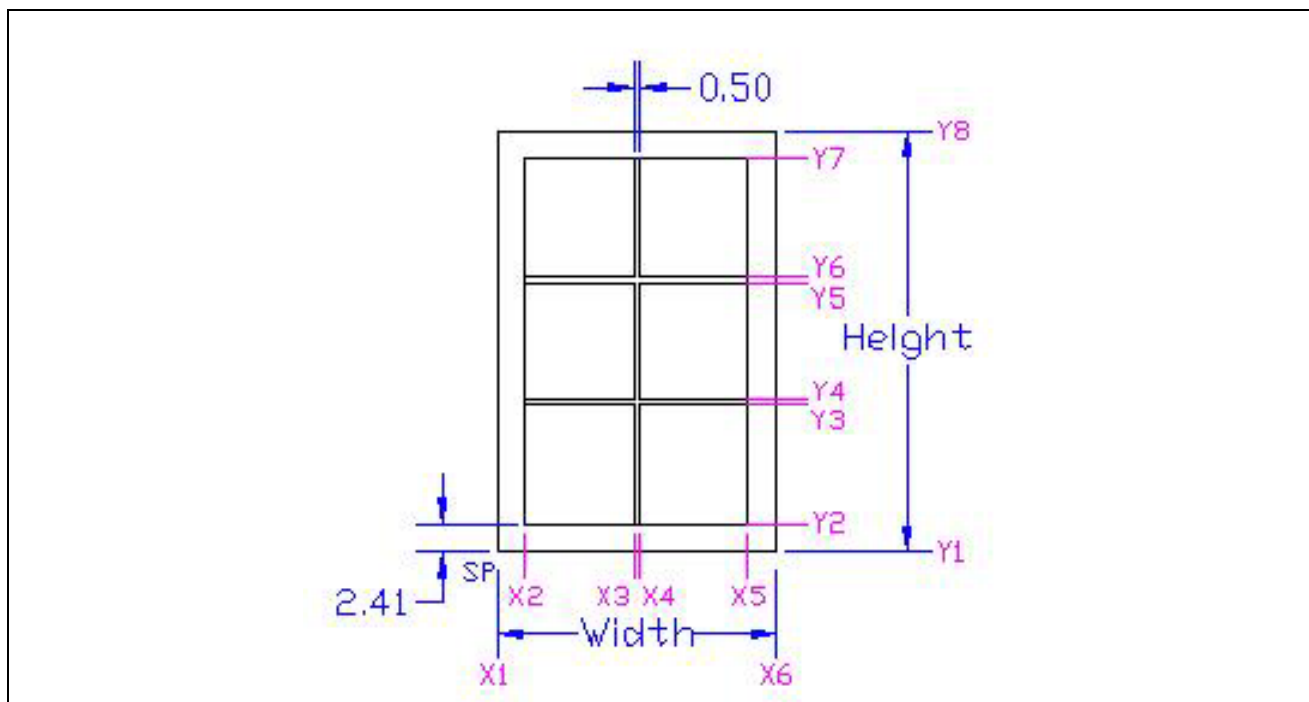


Figure D.2 – Design Sketch of the Door

Save the Visual Basic Application as Window.dvb in the VBA folder. Follow the instructions in textbook to save the project and run the program.

*** World Class CAD Challenge 5-3 * - Write a Visual Basic Application that draws a front view of a window. Complete the VBA for AutoCAD application in less than 60 minutes to maintain your World Class ranking.**

Send your best time and a copy of your drawing for verification to the authors of these problems to have your name, location and time posted. See the web site for instructions.

www.worldclasscad.com