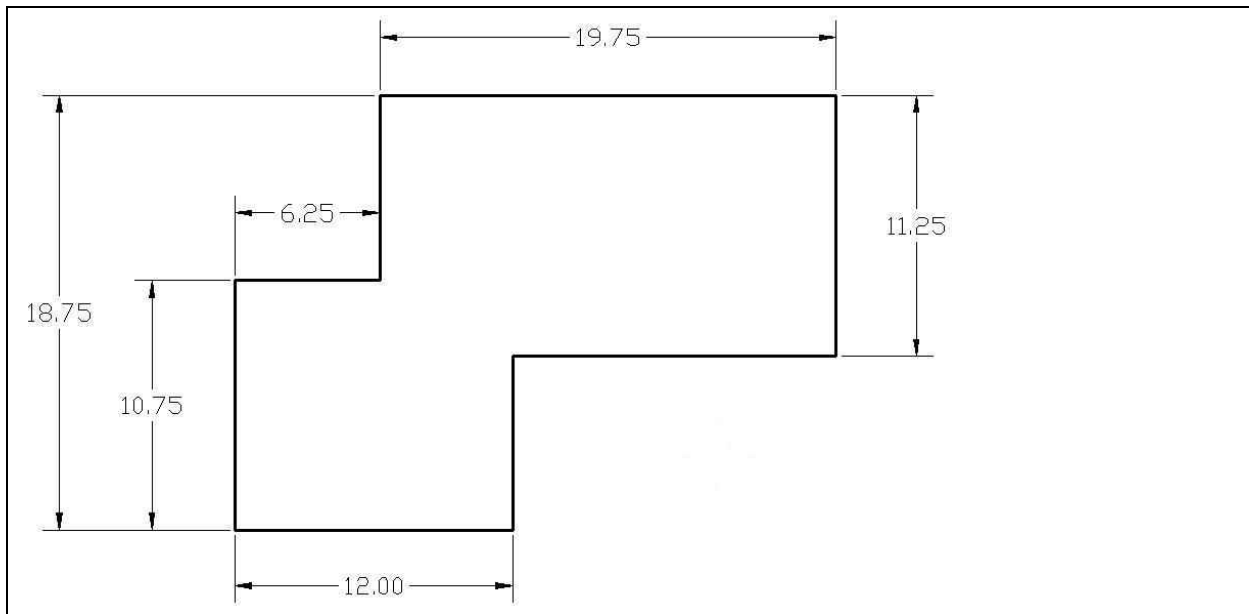


## Geometry – Area

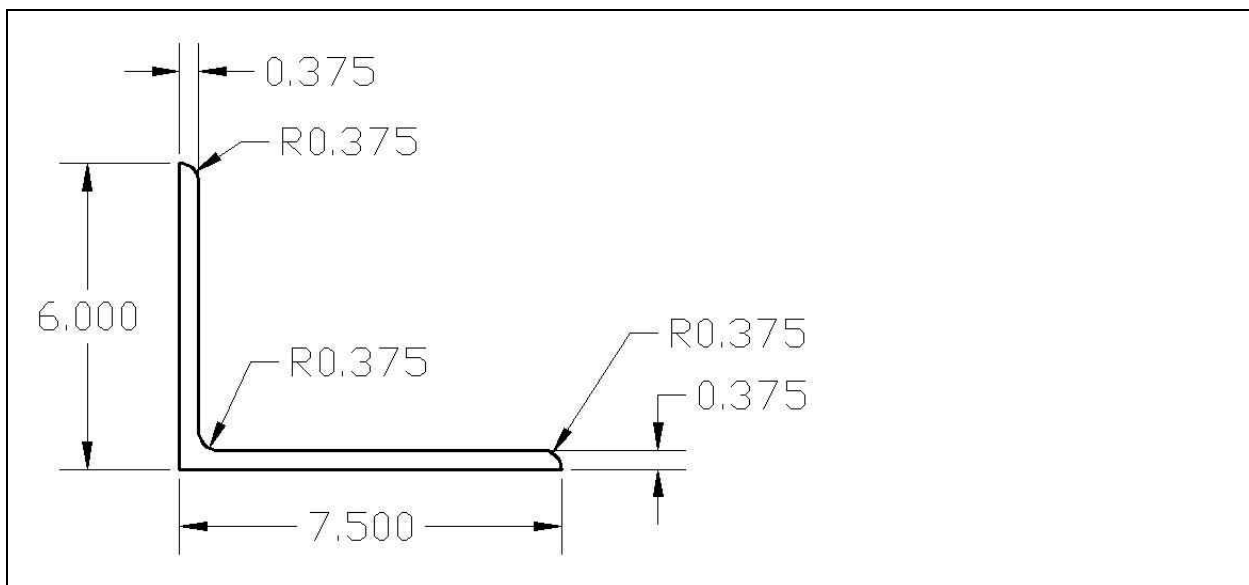
1. Write the formulas for the following areas

Circle	Rectangle	Trapezoid

2. Find the area of the composite.

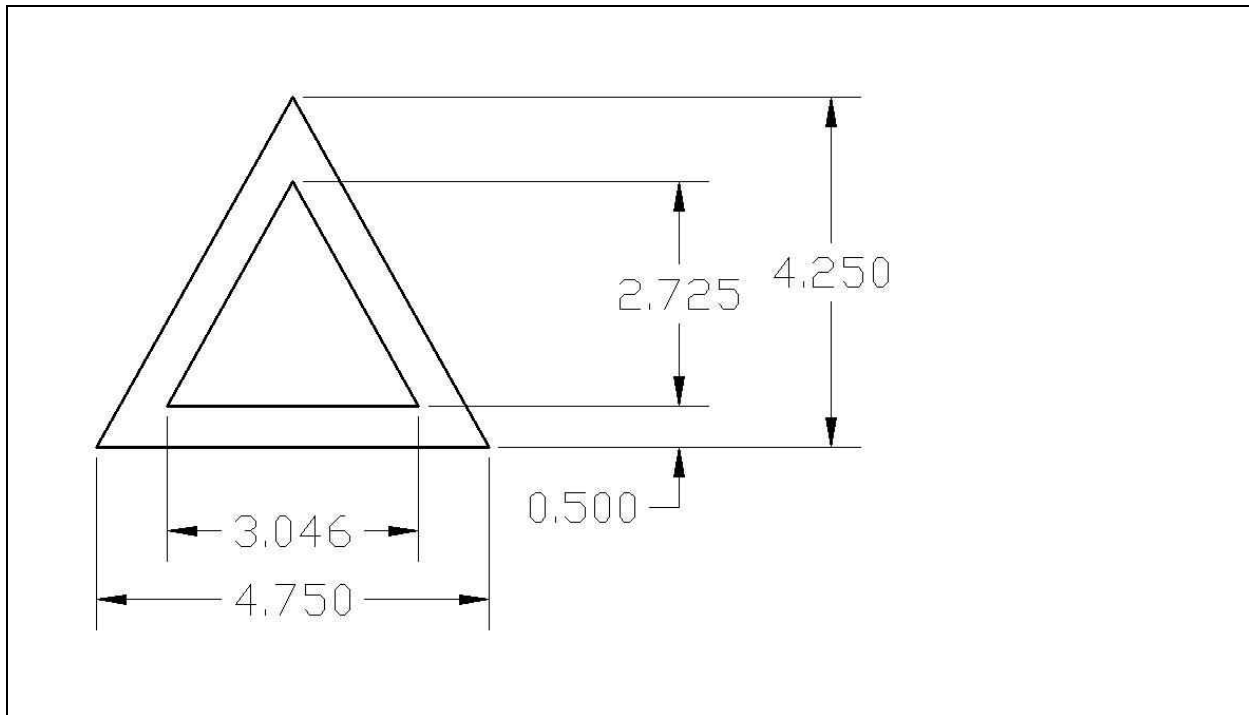


3. The cross sectional area of the angle.



## Geometry – Area

4. Find the area of this cross section of the hollow triangle. Show the center of gravity.



5. Find the area of the I-beam

