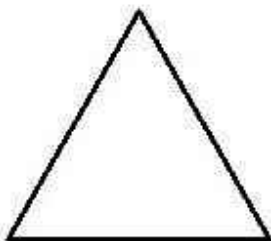
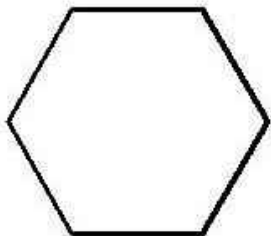
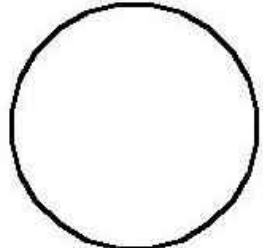


## Geometry – Polygons

### 1. Fill in the number of sides for the list of polygons

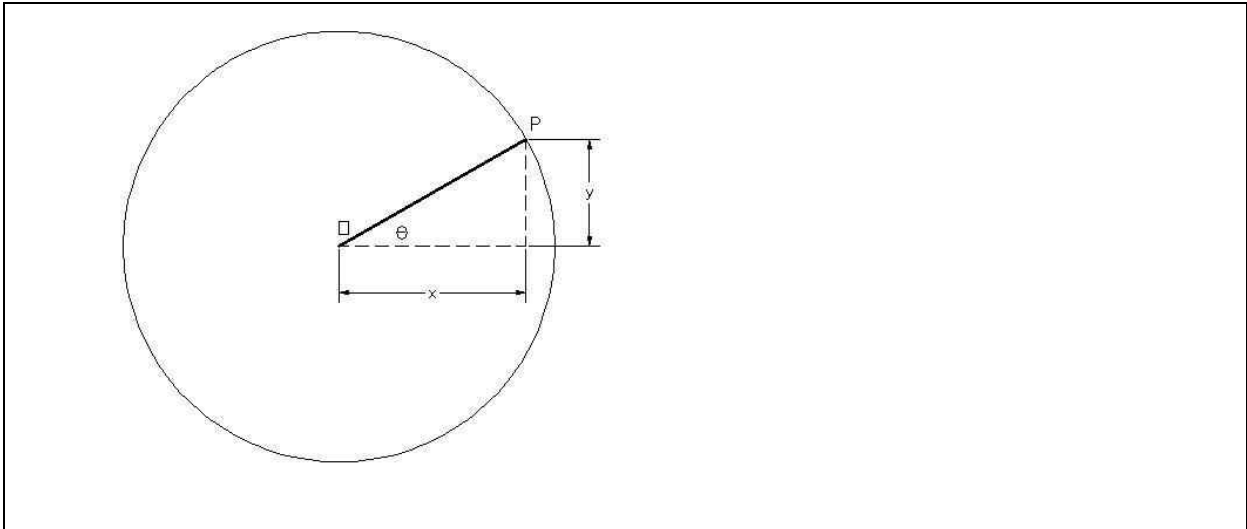
Polygon	Number of sides
Pentagon	
Undecagon	
Hexagon	
Heptagon	
Nonagon Enneagon	
Dodecagon	
Tetragon	
Decagon	
Octagon	

### 2. Determine the interior angles, total interior angles of the polygon and the area of the following multiple sided polygons.

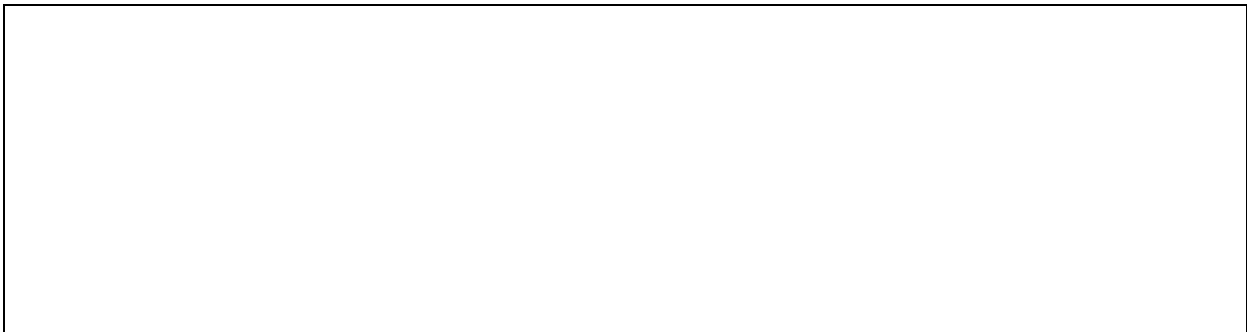
Sides	Interior Angle	Total Angle	Area	Graphic
3				
6				
24				

Geometry – Polygons

3. What is the formula for  $x$  and  $y$  if the angle of the line segment  $OP$  is  $\theta$



4. Find  $x$  and  $y$  if  $R = 2$  and  $\theta = 30^\circ$



5. Find  $A$ ,  $H$  and  $S$

