

# Appendix

# A

## Relay Panel 1

This drawing is present to challenge anyone with the time and the energy to duplicate the standards of the Relay Panel problem. The drawing requires the same skill set as learned in Unit 1, so you should be able to achieve a similar CAD drawing time and accuracy score.

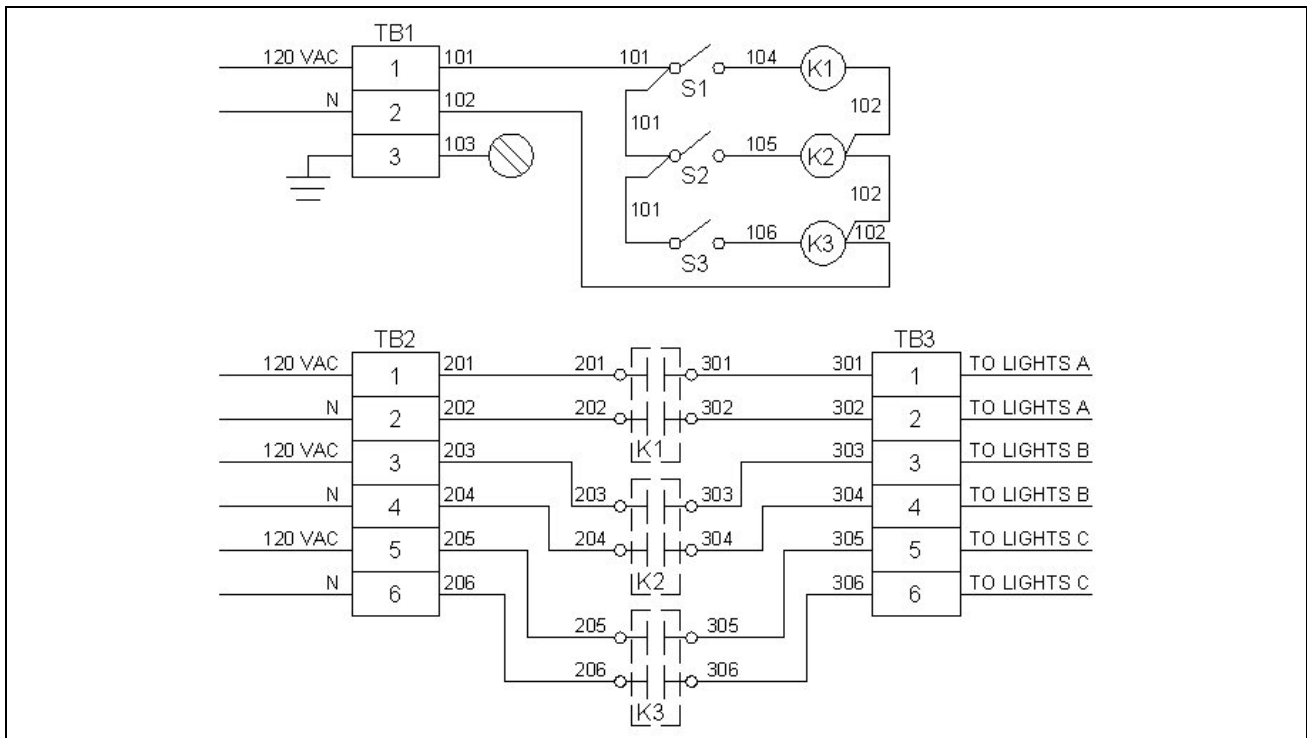


Figure A.1 – The Relay Panel

**\* World Class CAD Challenge 13-A1\* - Create a new file and draw the electrical diagram for the relay panel that lights three banks of lights using the drawing blocks for the terminal blocks, switches, ground, relay coils, and relay contacts from the worldclasscad.com website. Label all components and number each wire. Place the drawing in a B size-drawing border. Complete this drill in less than 60 minutes to maintain your World Class ranking.**

**Send your best time and a copy of your drawing for verification to the authors of these problems to have your name, location and time posted. See the web site for instructions. [www.worldclasscad.com](http://www.worldclasscad.com)**