

Appendix

B

PCB Schematic 1

This drawing is present to challenge anyone with the time and the energy to duplicate the standards of the Printed Circuit Board Schematic problem. The drawing requires the same skill set as learned in Unit 2, so you should be able to achieve a similar CAD drawing time and accuracy score.

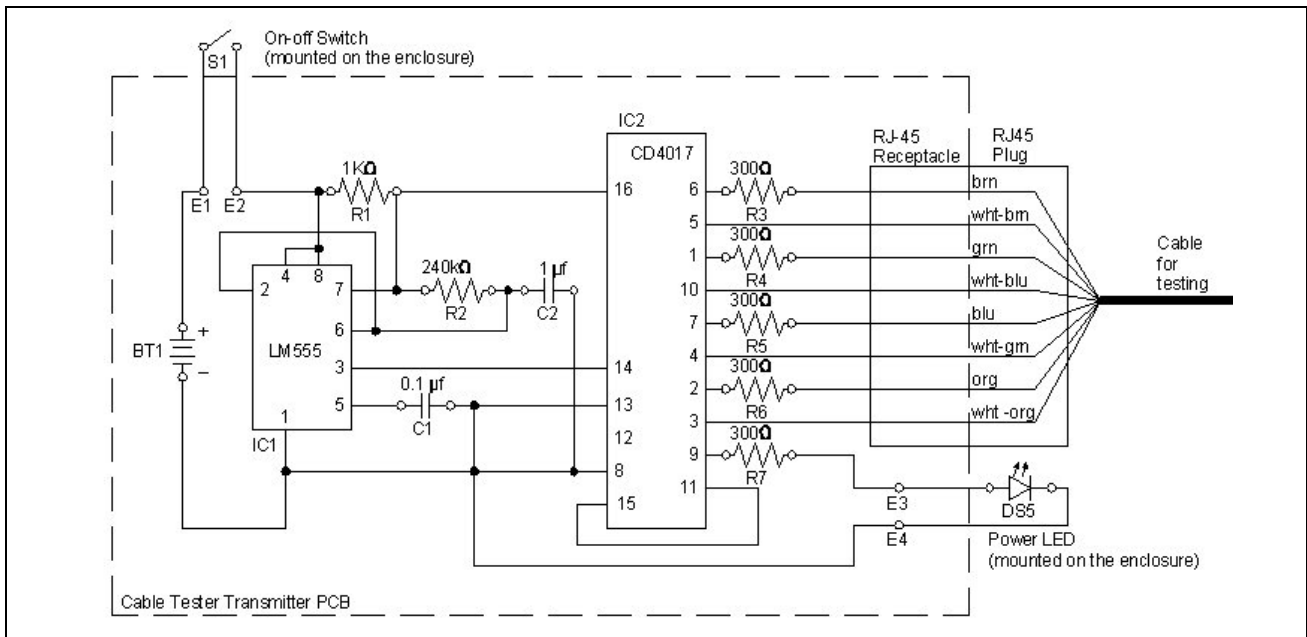


Figure B.1 – The Category 5e Cable Tester's Transmitter Schematic for 4 LEDs

*** World Class CAD Challenge 13-10 * - The project engineer wants to you to draw a printed circuit board schematic of the cable tester in your CAD program using the electrical symbols library on the worldclasscad.com website in the next 30 minutes. Place the electrical diagram in a border along with notes and completed title block.**

Continue this drill four times using some other ideas, such as four flashing LEDs, each time completing the drawing under 30 minutes to maintain your World Class ranking.

Appendix

B

PCB Schematic 2

This drawing is present to challenge anyone with the time and the energy to duplicate the standards of the Printed Circuit Board Schematic problem. The drawing requires the same skill set as learned in Unit 2, so you should be able to achieve a similar CAD drawing time and accuracy score.

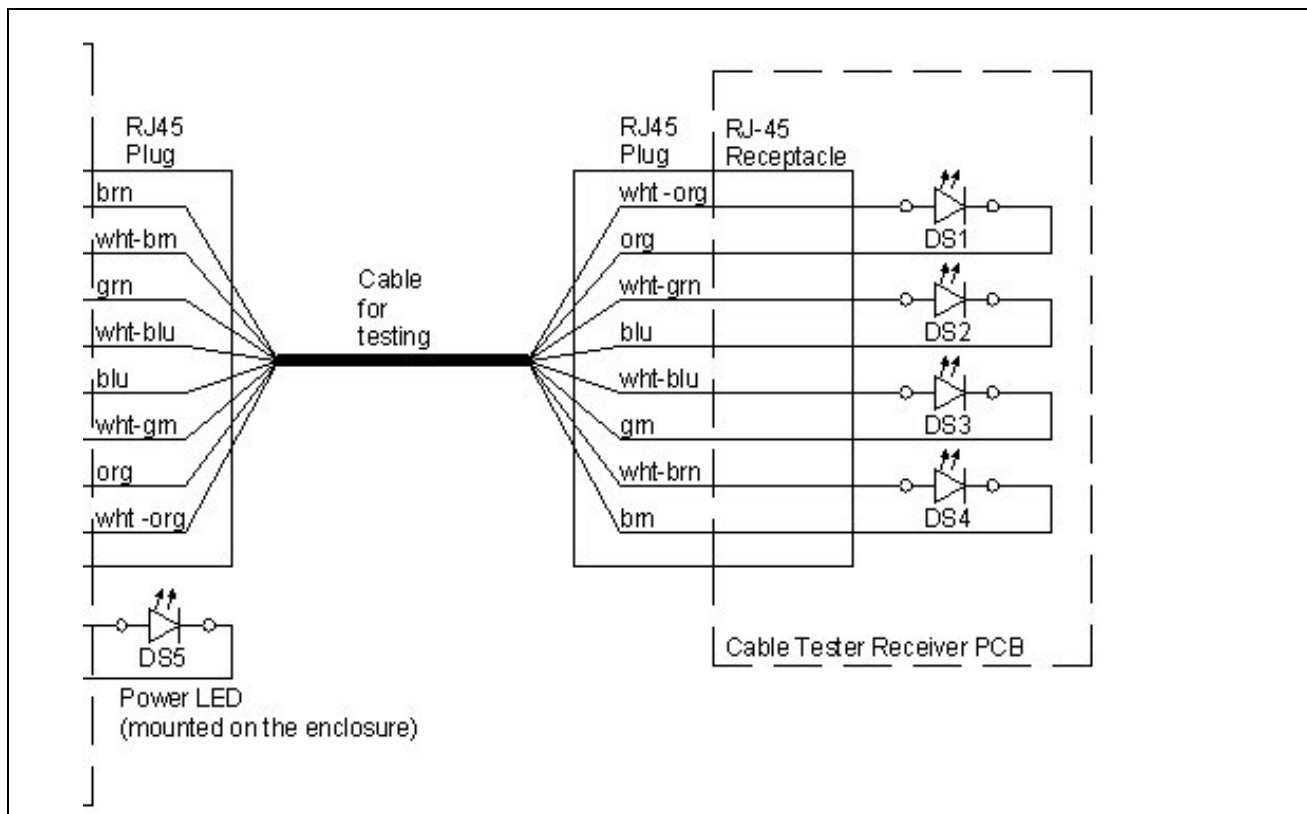


Figure B.2 – The Category 5e Cable Tester’s Receiver Schematic for 4 LEDs

*** World Class CAD Challenge 13-11 * - The project engineer wants to you to draw a printed circuit board schematic of the cable tester in your CAD program using the electrical symbols library on the worldclasscad.com website in the next 30 minutes. Place the electrical diagram in a border along with notes and completed title block.**

Continue this drill four times using some other ideas, such as four flashing LEDs, each time completing the drawing under 30 minutes to maintain your World Class ranking.