

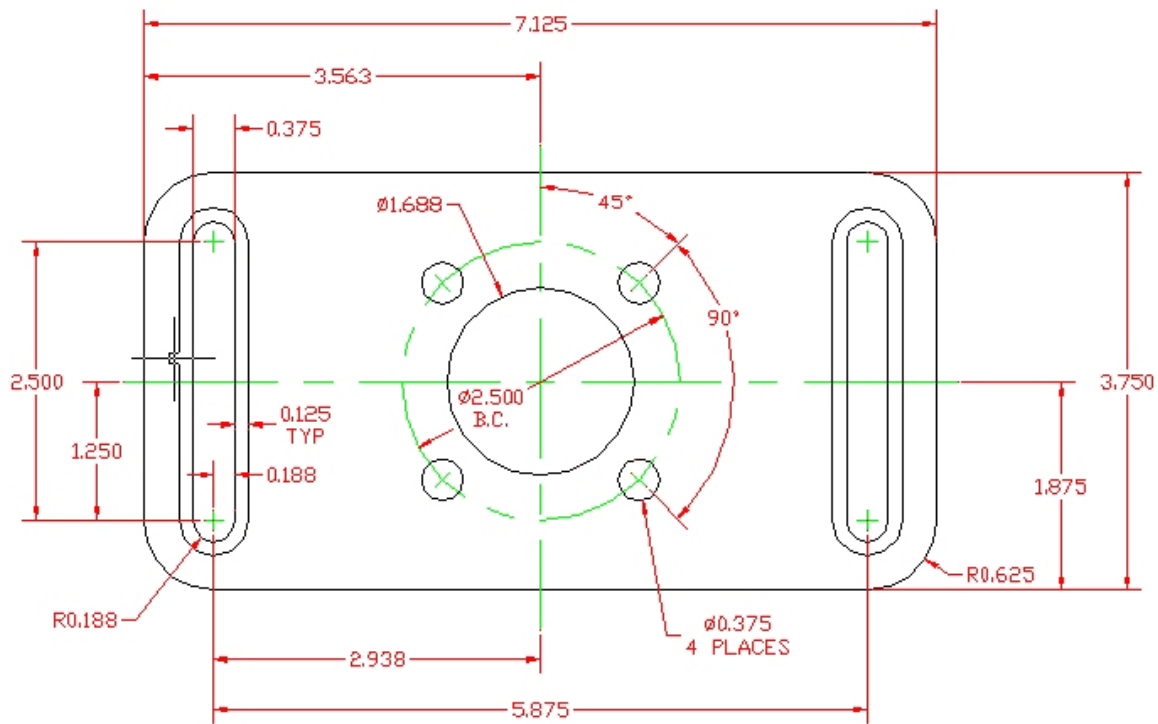
Appendix

A

Rectangular Challenge

1

This drawing is present to challenge anyone with the time and the energy to duplicate the standards of the Rectangle problem. The drawing requires the same skill set as learned in Unit 1, so you should be able to achieve a similar CAD drawing time and accuracy score.



- NOTES:
1. MATERIAL: 0.25 ALUMINUM PLATE
 2. REMOVE ALL SHARP EDGES AND BURRS.
 3. BLACK ANODIZE.
 4. TOLERANCES UNLESS OTHERWISE SPECIFIED:
3 DECIMAL: ± 0.010
ANGULAR: $\pm 0.5^\circ$

Figure A.1 – The Linkage Plate

* World Class CAD Challenge 02-A1* - Create a New file and draw the entire linkage plate on proper layers, using proper dimensions and finally placing the notes on the drawing. Continue this drill four times, each time completing the drawing under 15 minutes to maintain your World Class ranking.

Send your best time and a copy of your drawing for verification to the authors of these problems to have your name, location and time posted. See the web site for instructions.

www.worldclasscad.com

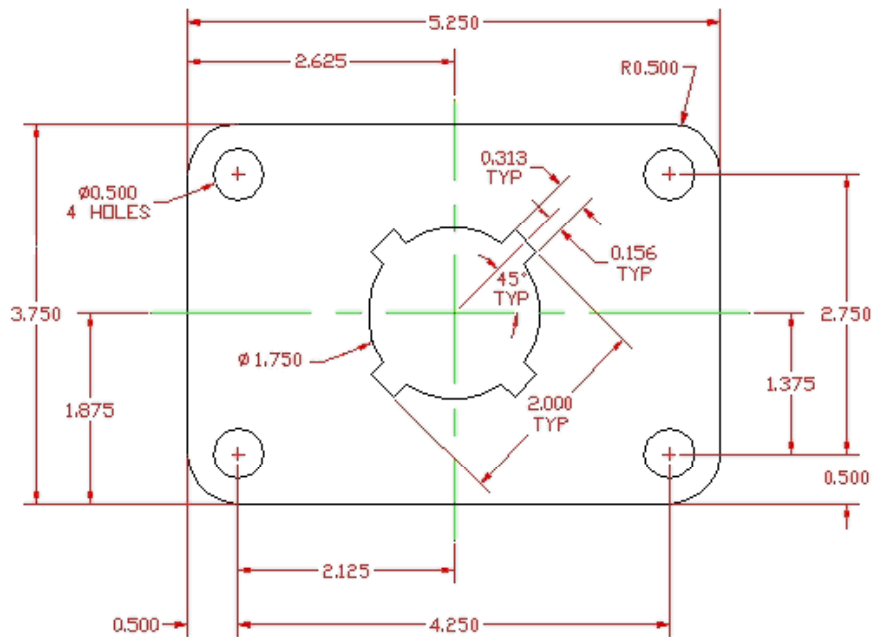
Appendix

A

Rectangular Challenge

2

This drawing is present to challenge anyone with the time and the energy to duplicate the standards of the Rectangle problem. The drawing requires the same skill set as learned in Unit 1, so you should be able to achieve a similar CAD drawing time and accuracy score.



- NOTES:
1. MATERIAL: 0.125 ALUMINUM PLATE
 2. REMOVE ALL SHARP EDGES AND BURRS.
 3. CLEAR ANODIZE.
 4. TOLERANCES UNLESS OTHERWISE SPECIFIED:
3 DECIMAL: ± 0.010
ANGULAR: $\pm 0.5^\circ$

Figure A.2 – The Key Plate

* World Class CAD Challenge 02-A2* - Create a New file and draw the entire linkage plate on proper layers, using proper dimensions and finally placing the notes on the drawing. Continue this drill four times, each time completing the drawing under 15 minutes to maintain your World Class ranking.

Send your best time and a copy of your drawing for verification to the authors of these problems to have your name, location and time posted. See the web site for instructions.

www.worldclasscad.com