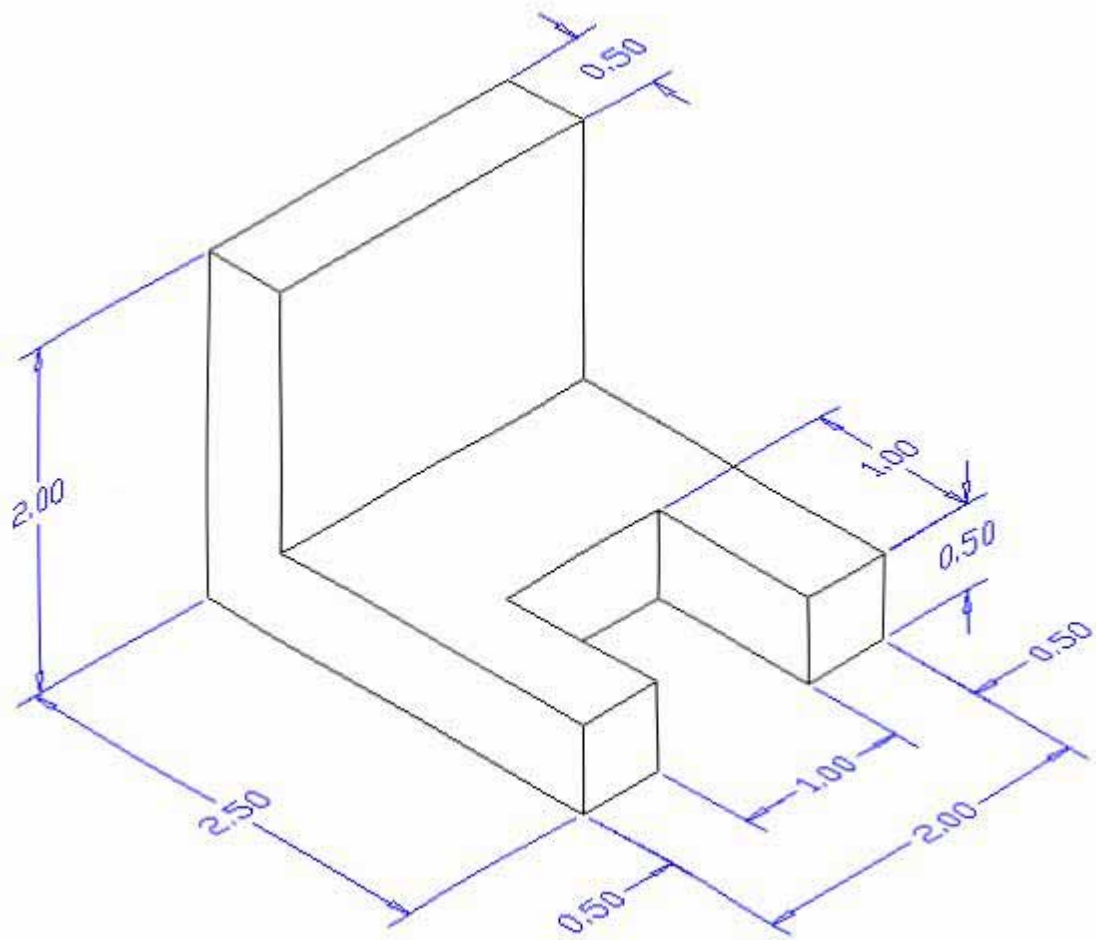


## Solid Problem One

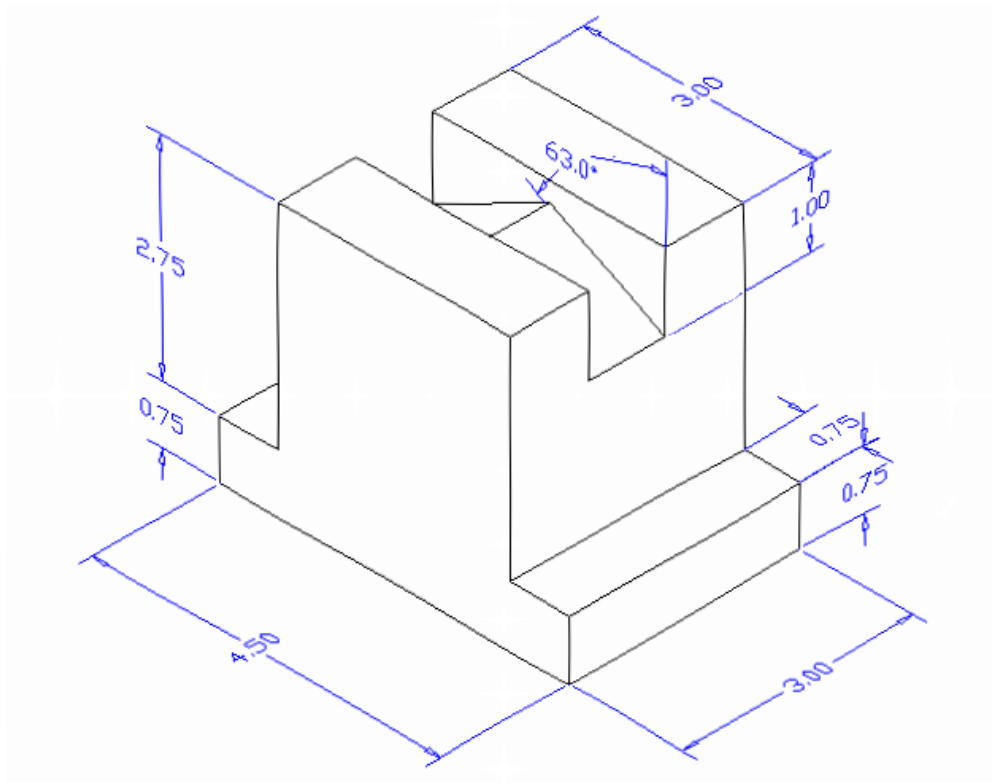
---



Problem One Sketch

## Solid Problem Two

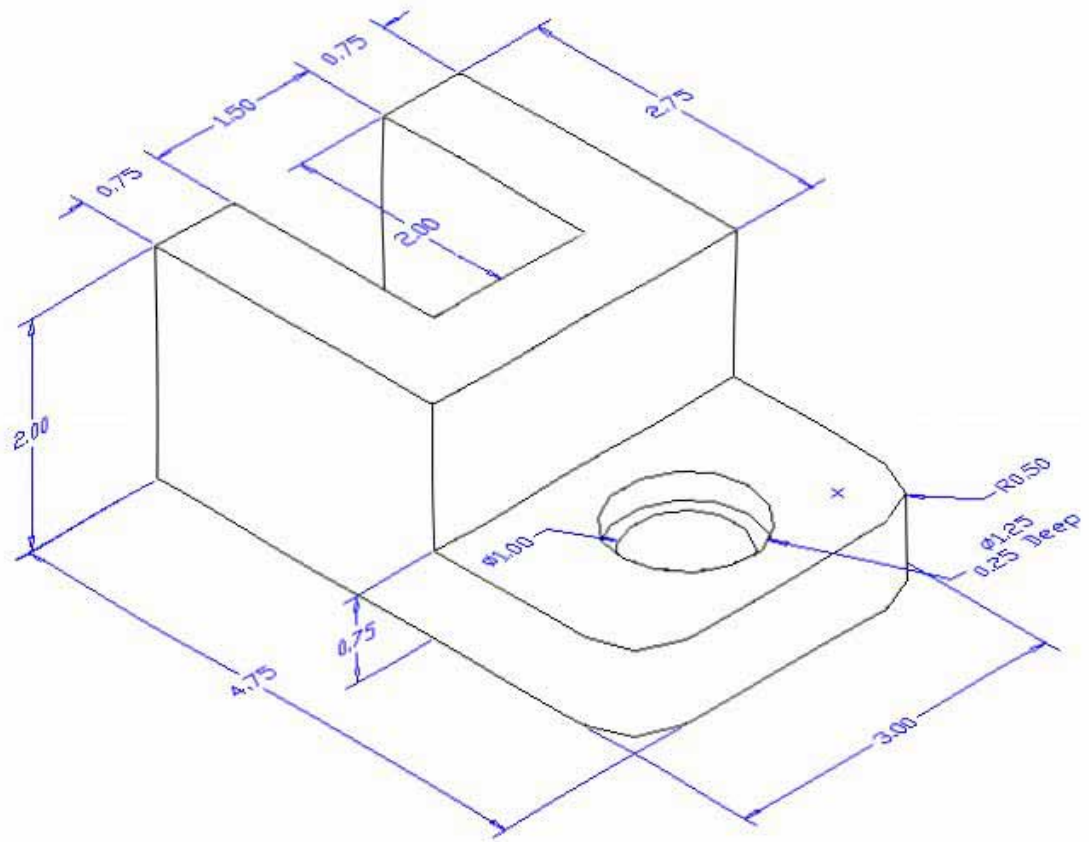
---



Problem Two Sketch

## Solid Problem Three

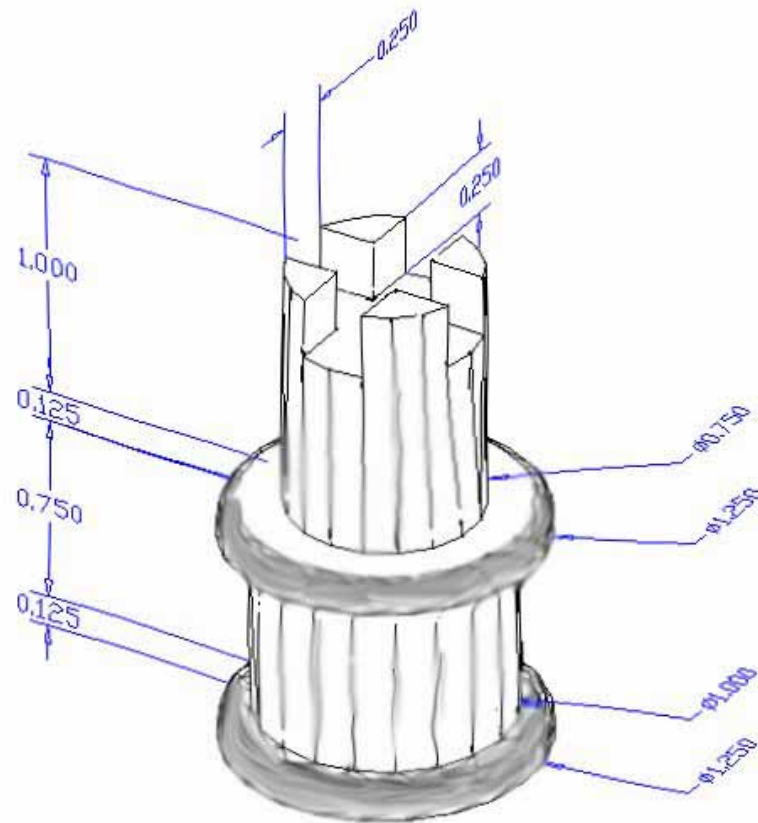
---



Problem Three Sketch

## Solid Problem Four

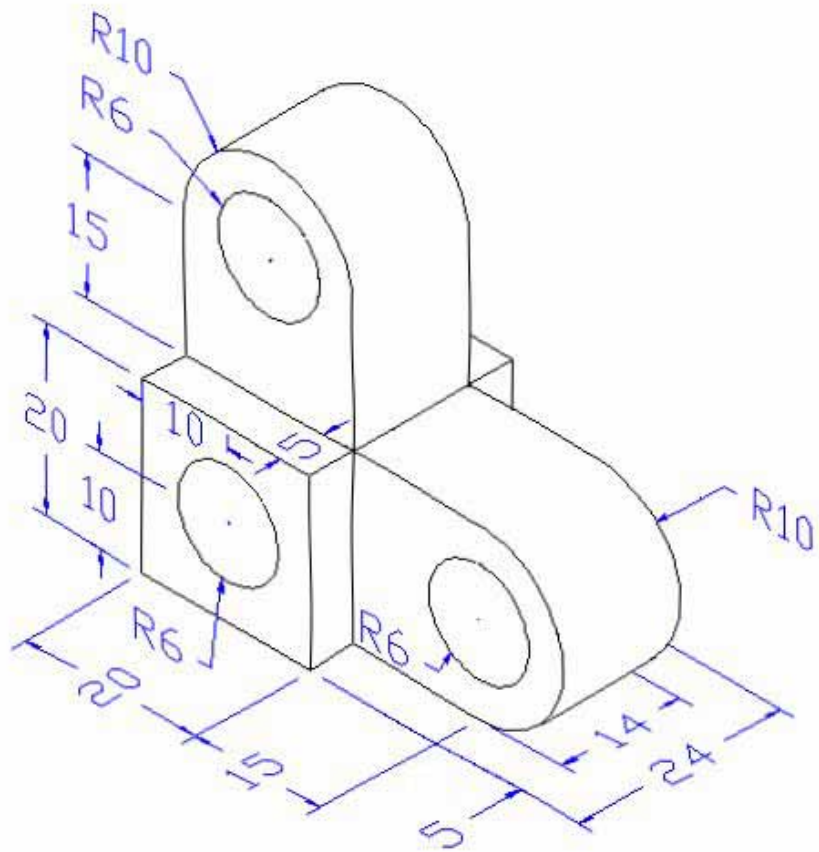
---



Problem Four Sketch

## Solid Problem Five

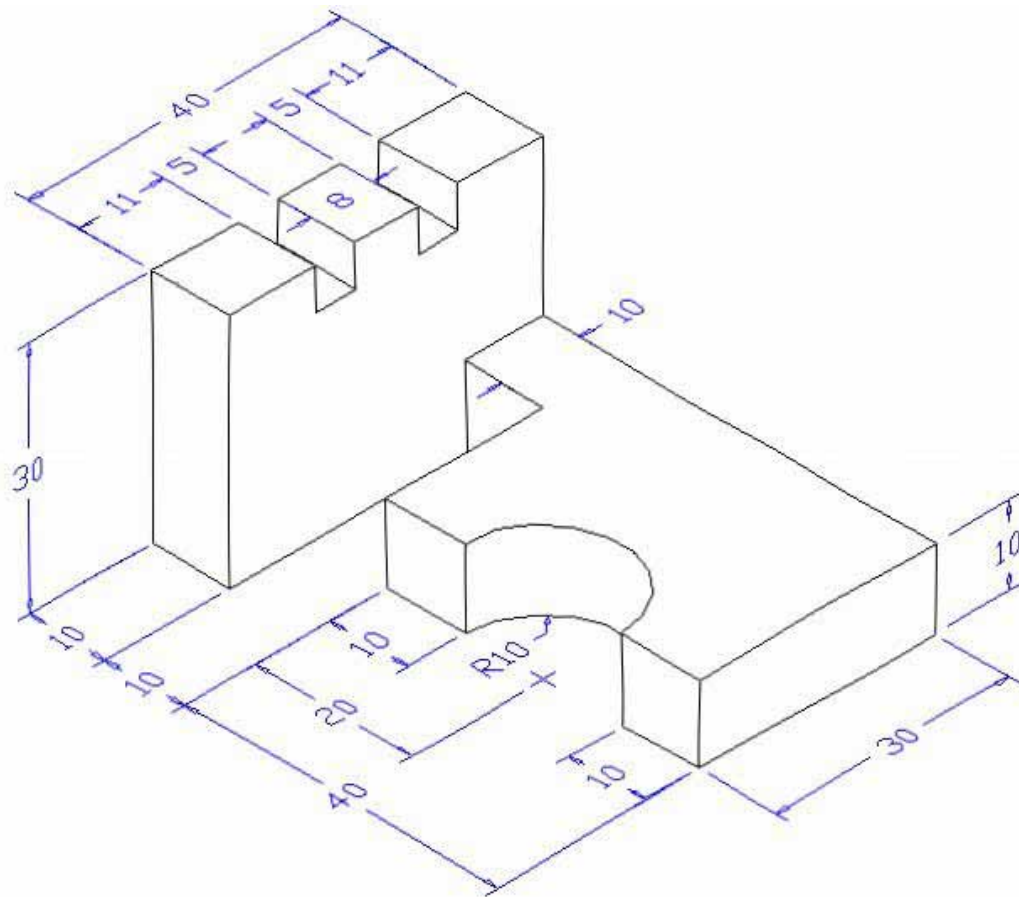
---



Problem Five Sketch

## Solid Problem Six

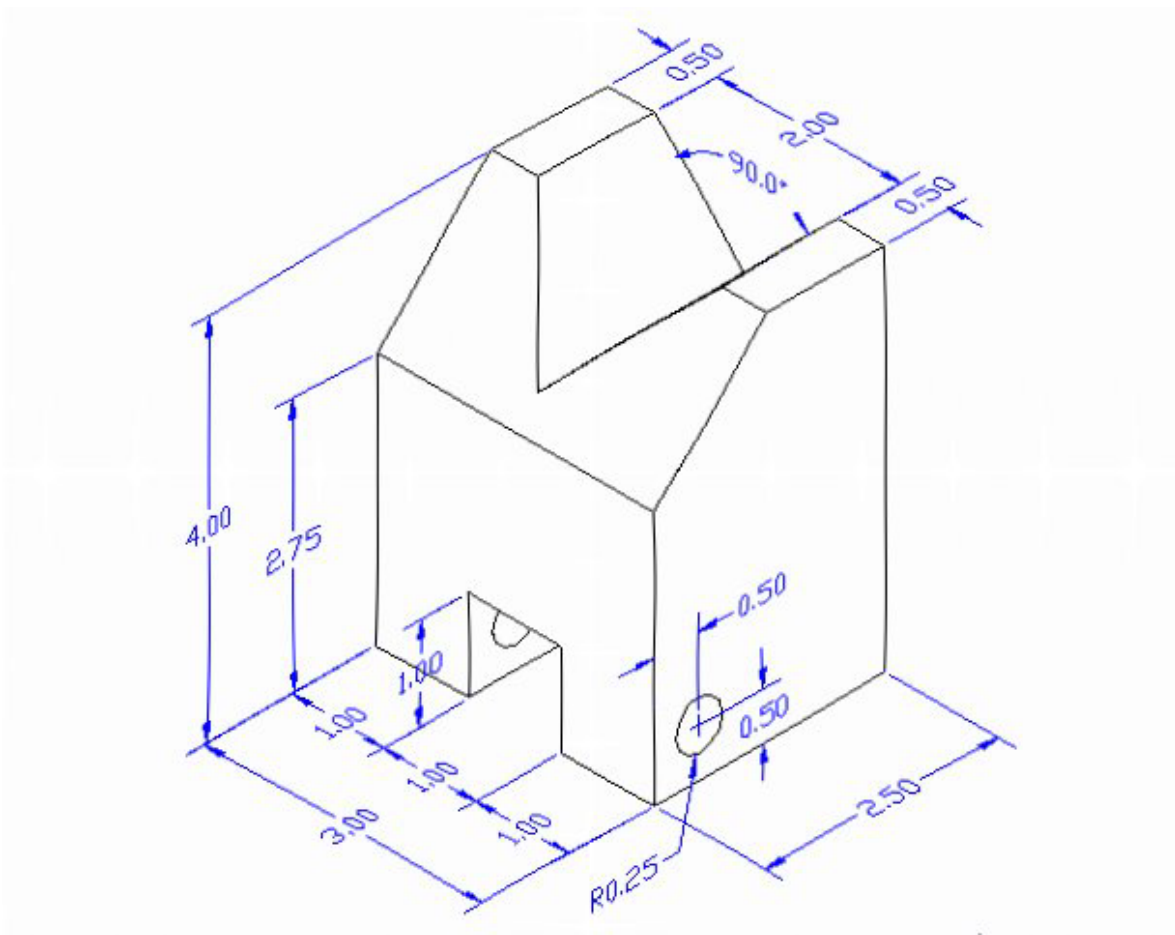
---



Problem Six Sketch

## Solid Problem Seven

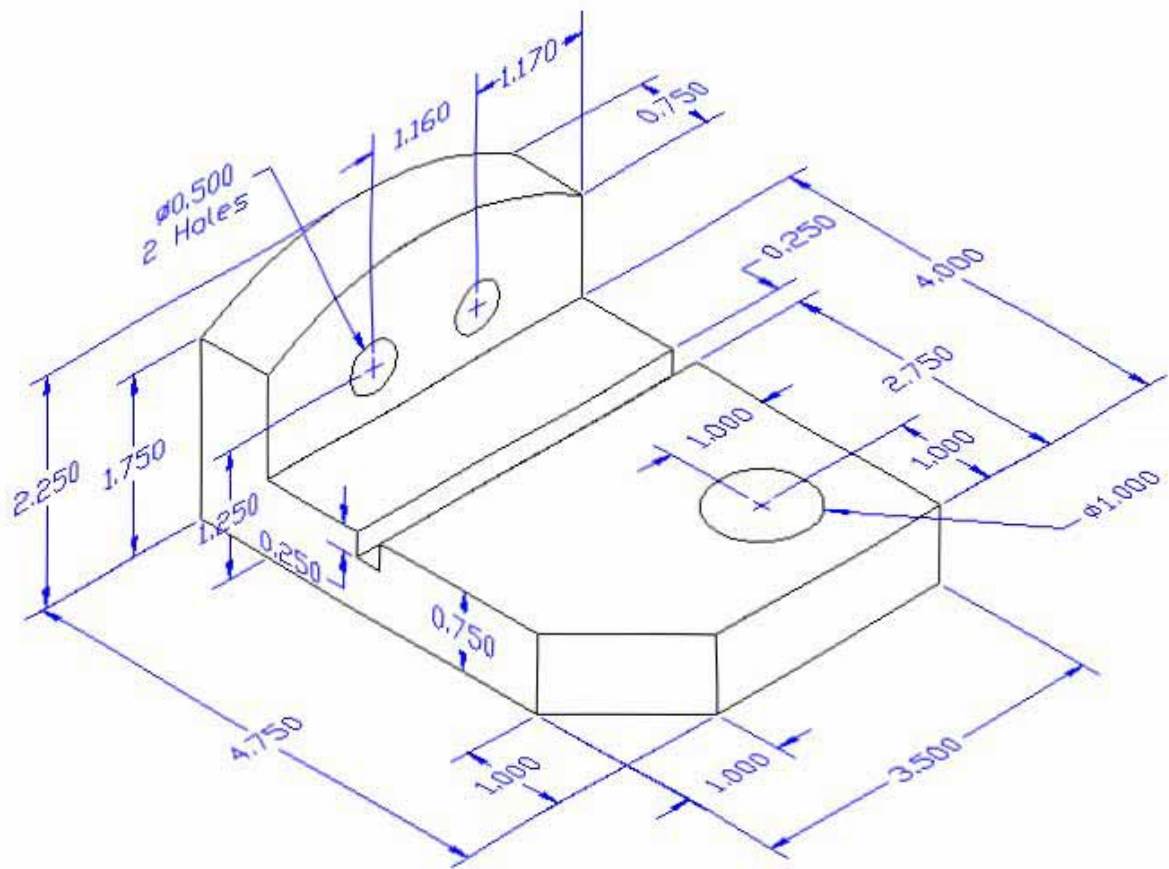
---



Problem Seven Sketch

## Solid Problem Eight

---

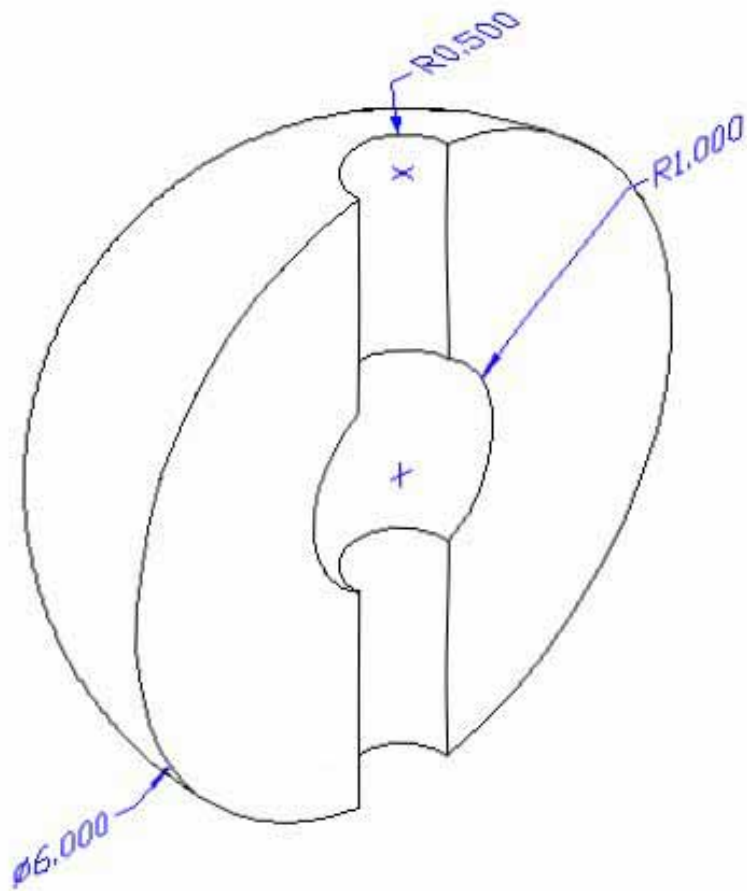


Problem Eight Sketch



## Solid Problem Nine

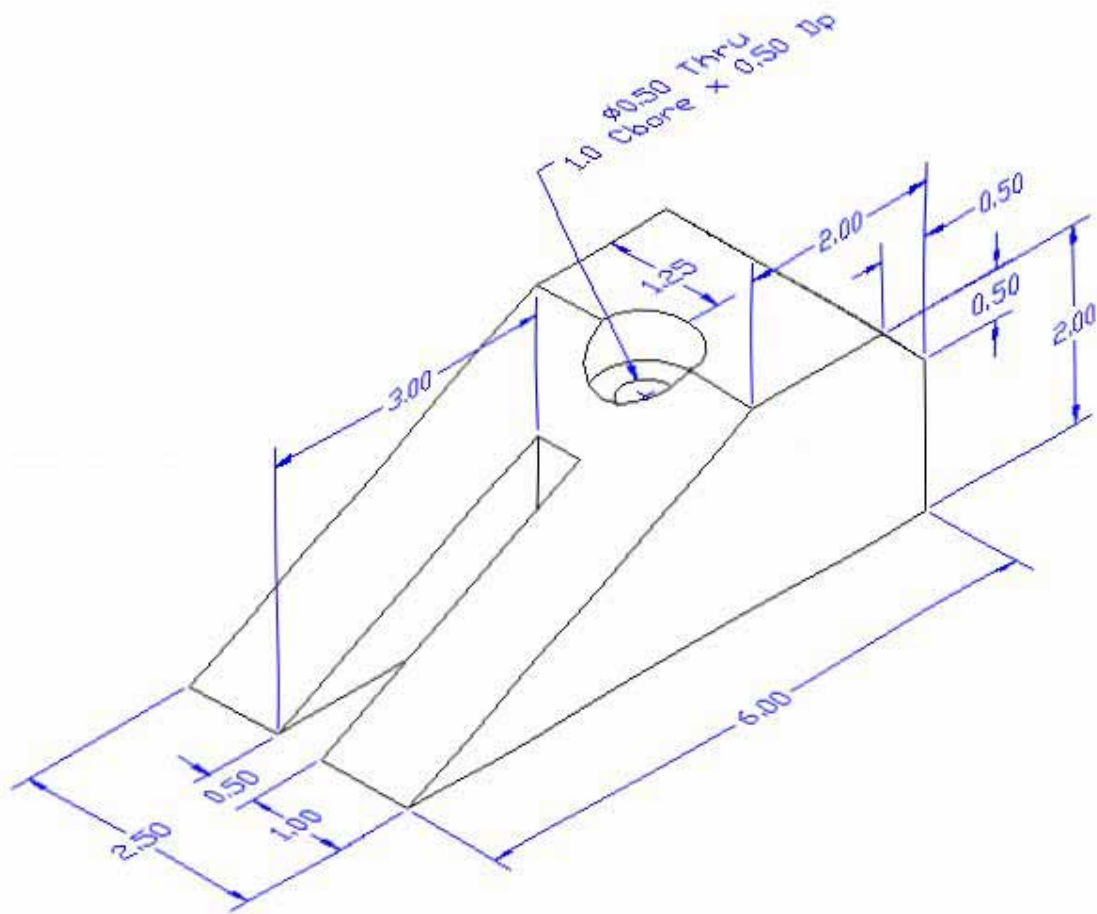
---



Problem Nine Sketch

## Solid Problem Ten

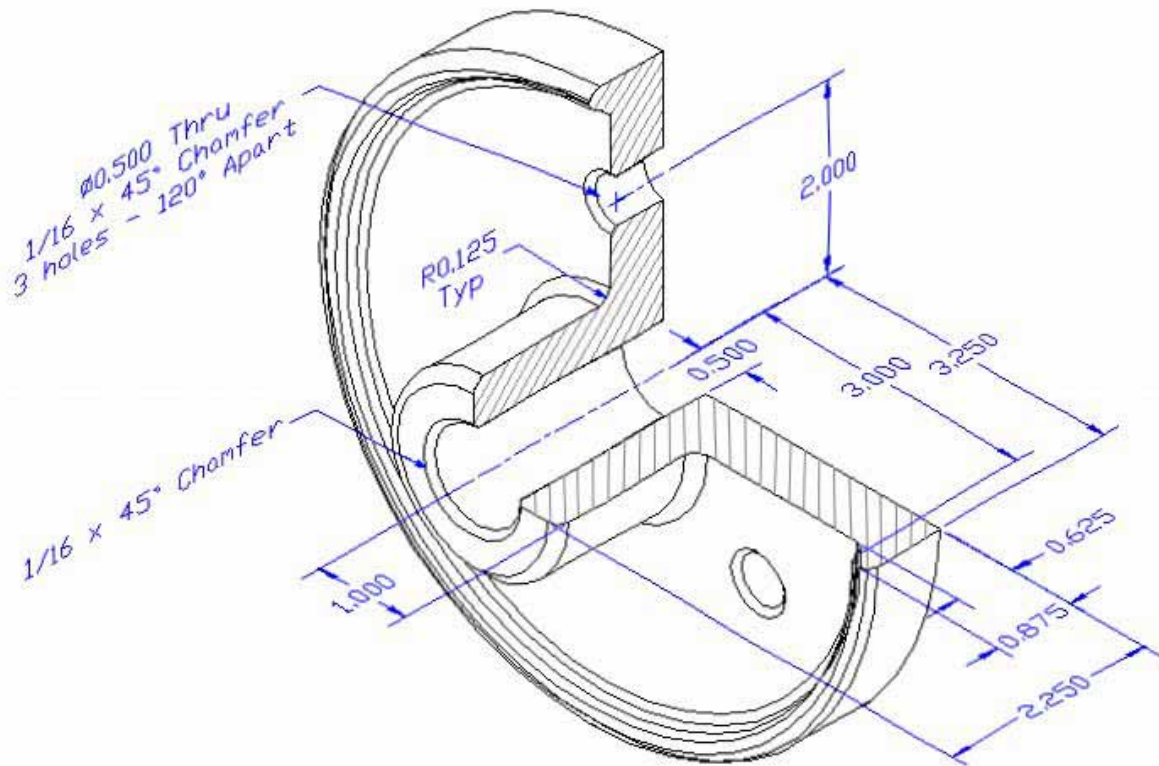
---



Problem Ten Sketch

## Revolving Problem One

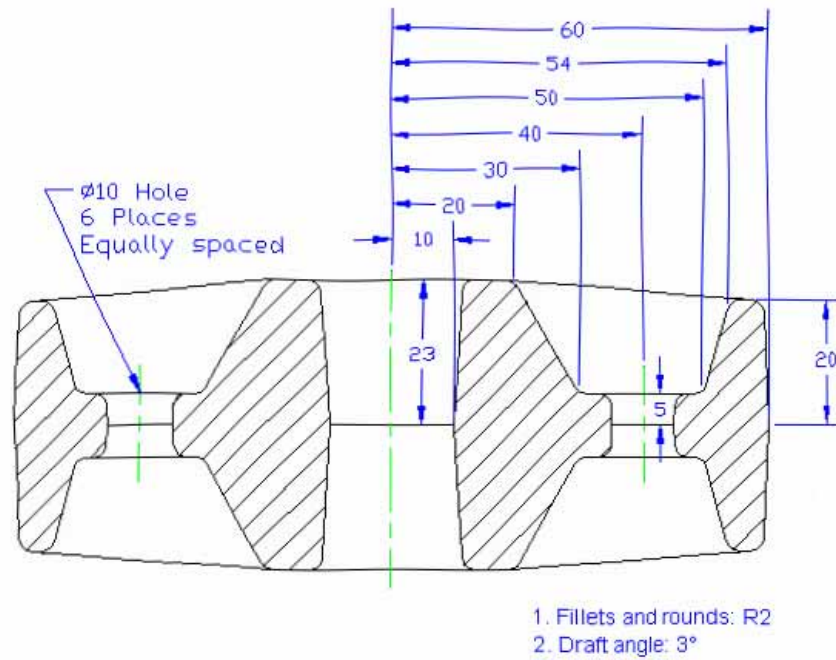
---



## Revolving Problem One Sketch

## Revolving Problem Two

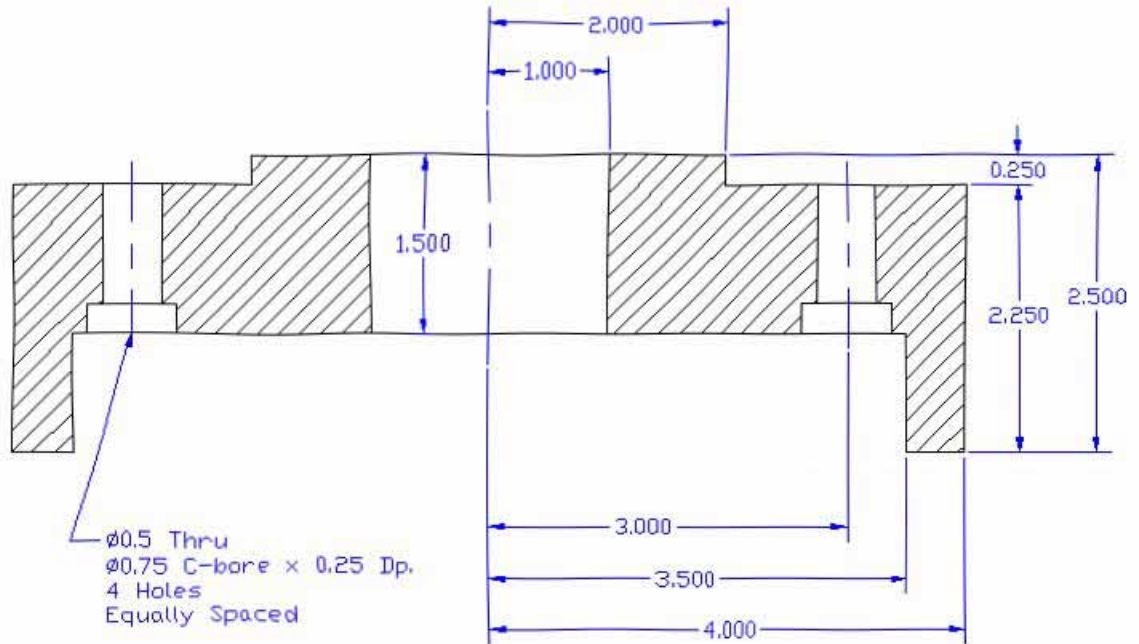
---



## Revolving Problem Two Sketch

## Revolving Problem Three

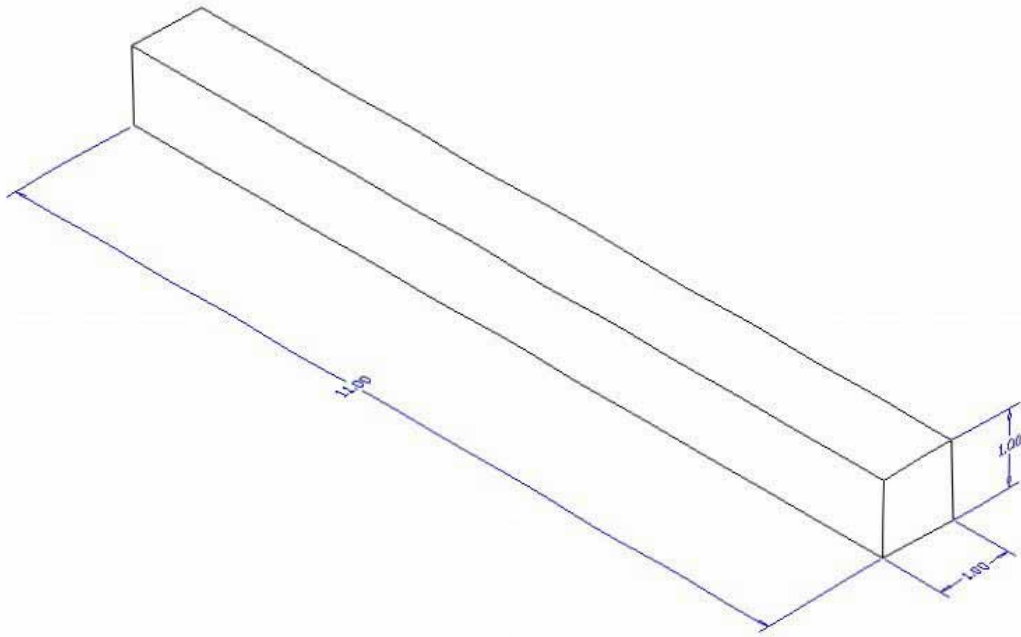
---



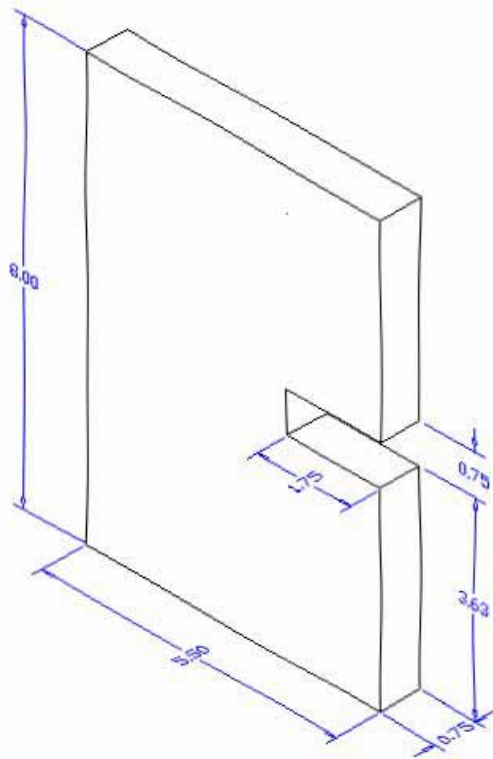
## Revolving Problem Three Sketch

## Footrest Parts and Assembly

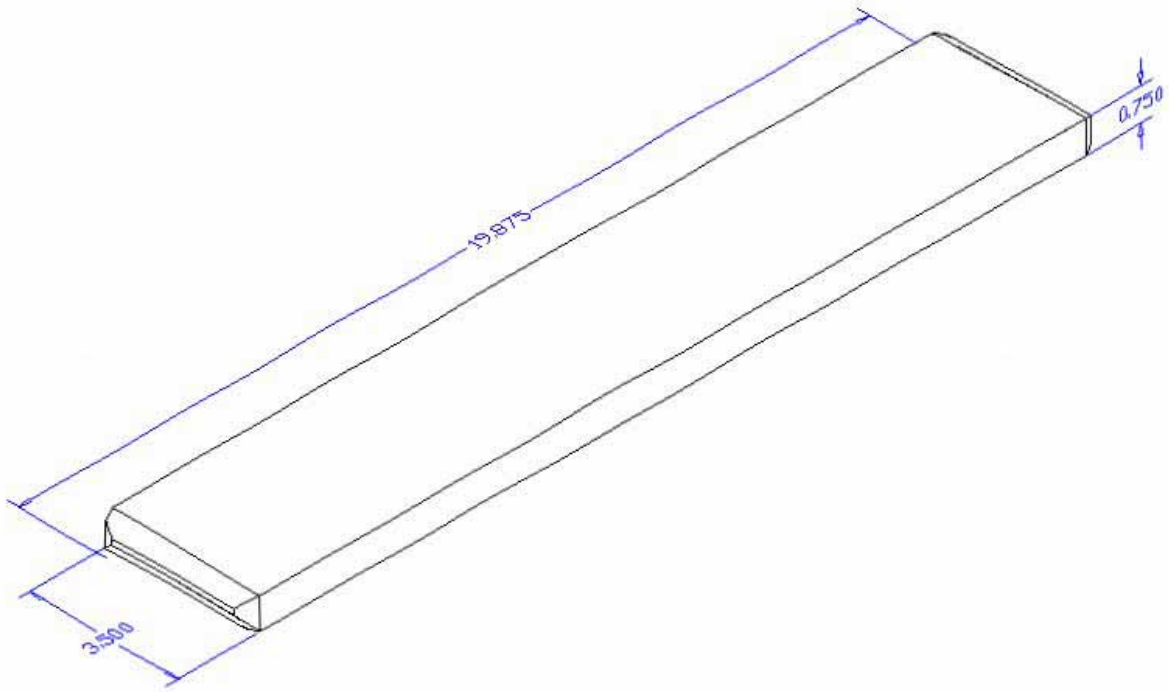
---



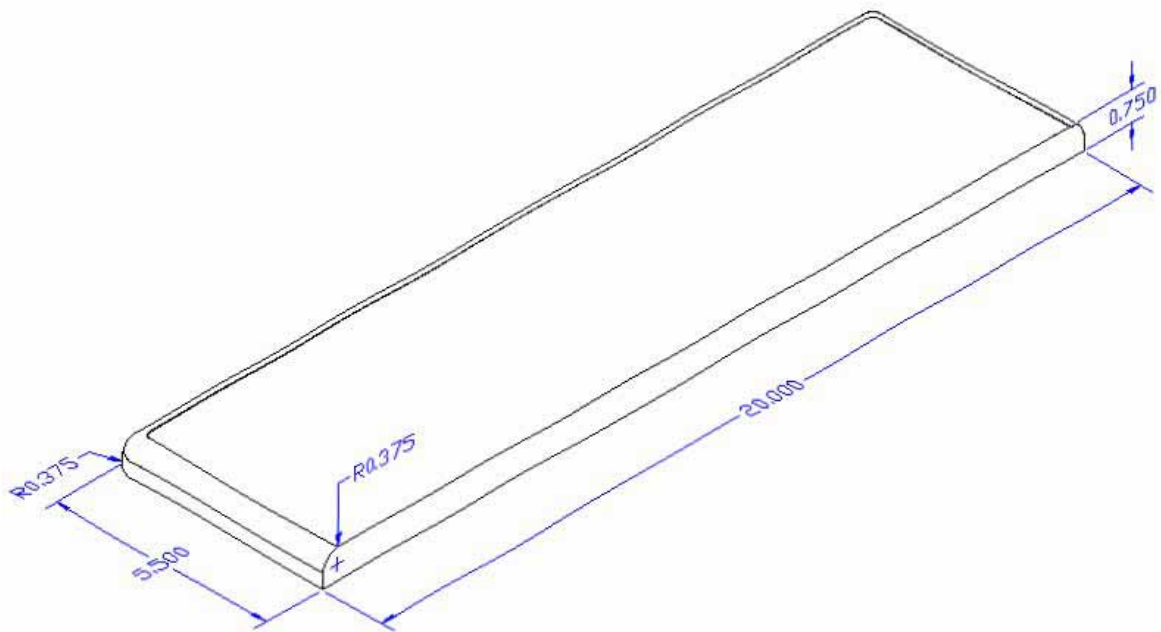
### Part One Sketch



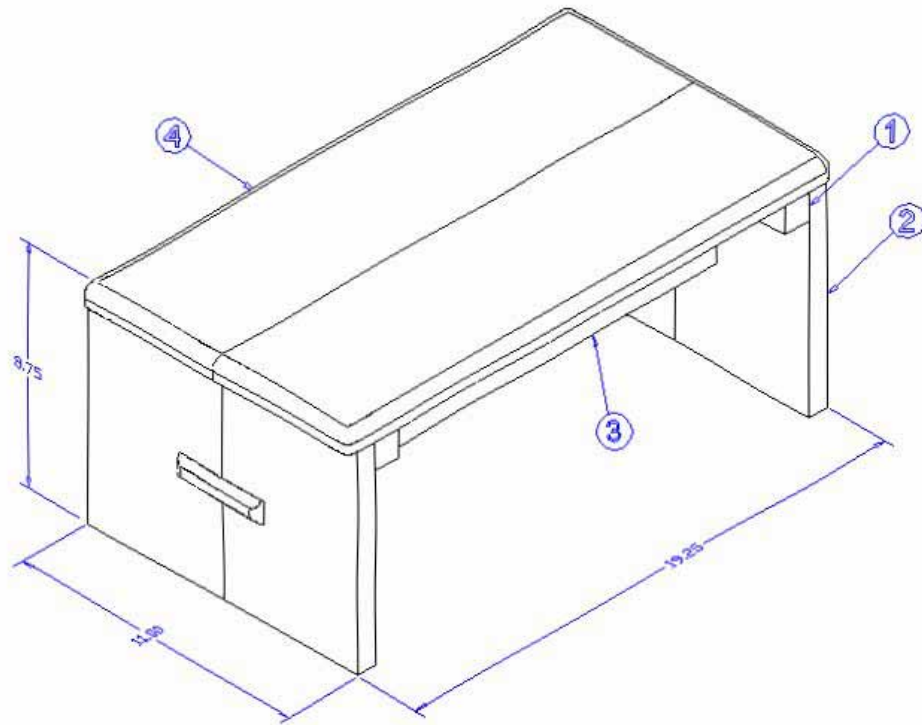
### Part Two Sketch



Part Three Sketch



Part Four Sketch



**The Foot Rest Assembly Sketch**